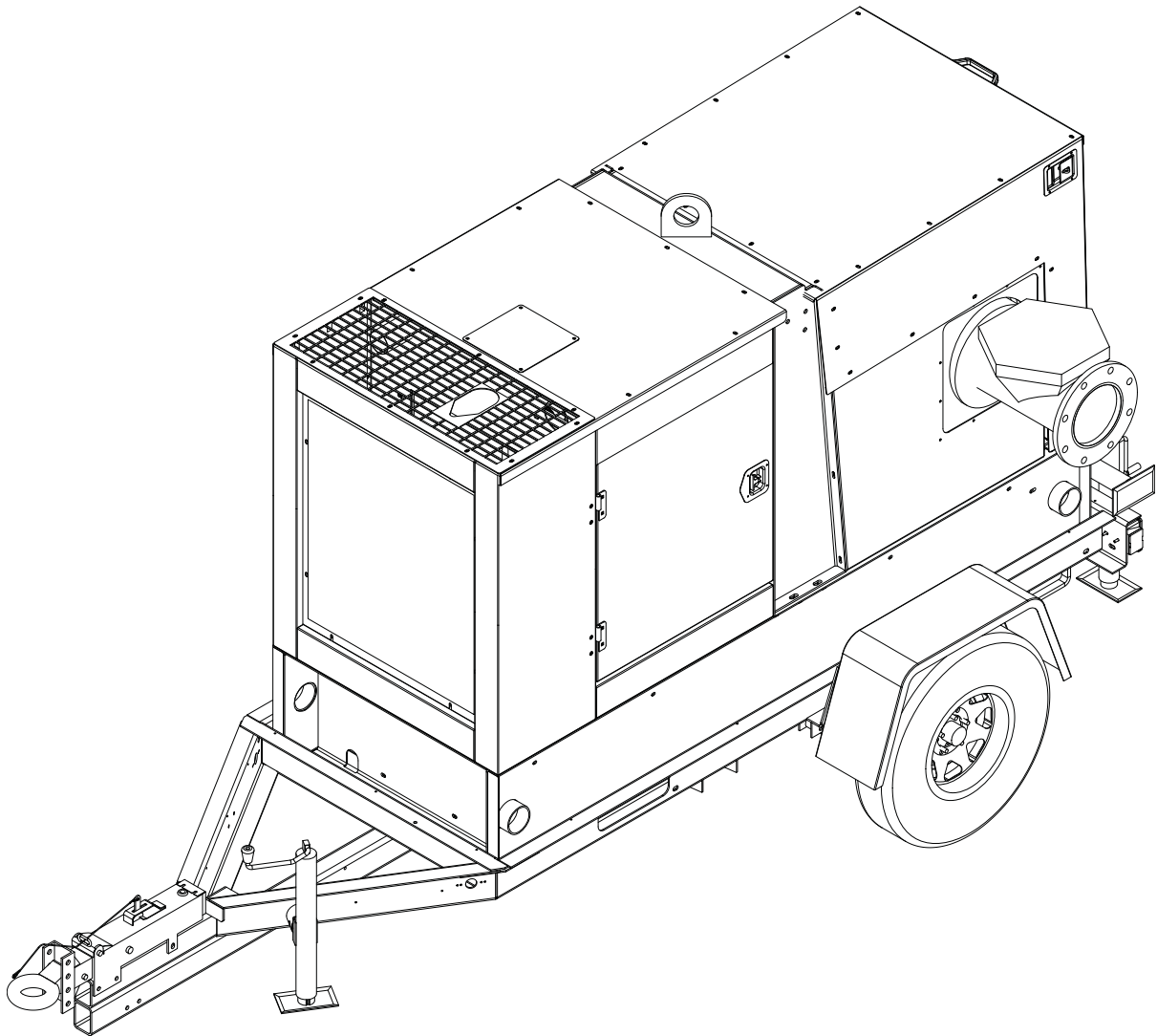




MTP8500FHNPC  
DRY-PRIME DIESEL TRASH PUMP



PARTS MANUAL

## INTRODUCTION

Before servicing this machine, make sure the engine start switch is turned to "OFF/O", the emergency stop switch is closed (pushed in), and the negative (-) terminal on battery is disconnected. Attach a "DO NOT START" sign to the control panel. This will notify everyone that the unit is being serviced and will reduce the chance of someone inadvertently trying to start the unit.

### **▲ WARNING**

**Before operating or servicing this equipment, read and understand the Magnum Operating Manual which was included with the unit when shipped from the factory. Failure to do so increases the risk of injury to yourself or others.**

## **MAGNUM POWER PRODUCTS LLC**

**215 Power Drive • Berlin, WI 54923**

**U.S.A.**

**Phone: 920-361-4442**

**FAX: 920-361-4416**

**Toll Free: 1-800-926-9768**

**[www.m-p-llc.com](http://www.m-p-llc.com)**

**For technical or parts QUESTIONS, please contact the Magnum Power Products Customer Support or Technical Support team toll free at 1-800-926-9768. Please have your serial number available.**

**To ORDER SERVICE PARTS, please contact the dealer from which you purchased the unit, or call Magnum Power Products to locate a dealer in your area.**

Engine Make: \_\_\_\_\_

Engine Serial Number: \_\_\_\_\_

Engine Model Number: \_\_\_\_\_

Pump Make: \_\_\_\_\_

Pump Model Number: \_\_\_\_\_

Pump Serial Number: \_\_\_\_\_

Unit Model Number: \_\_\_\_\_

Unit Serial Number: \_\_\_\_\_

### **▲ WARNING**

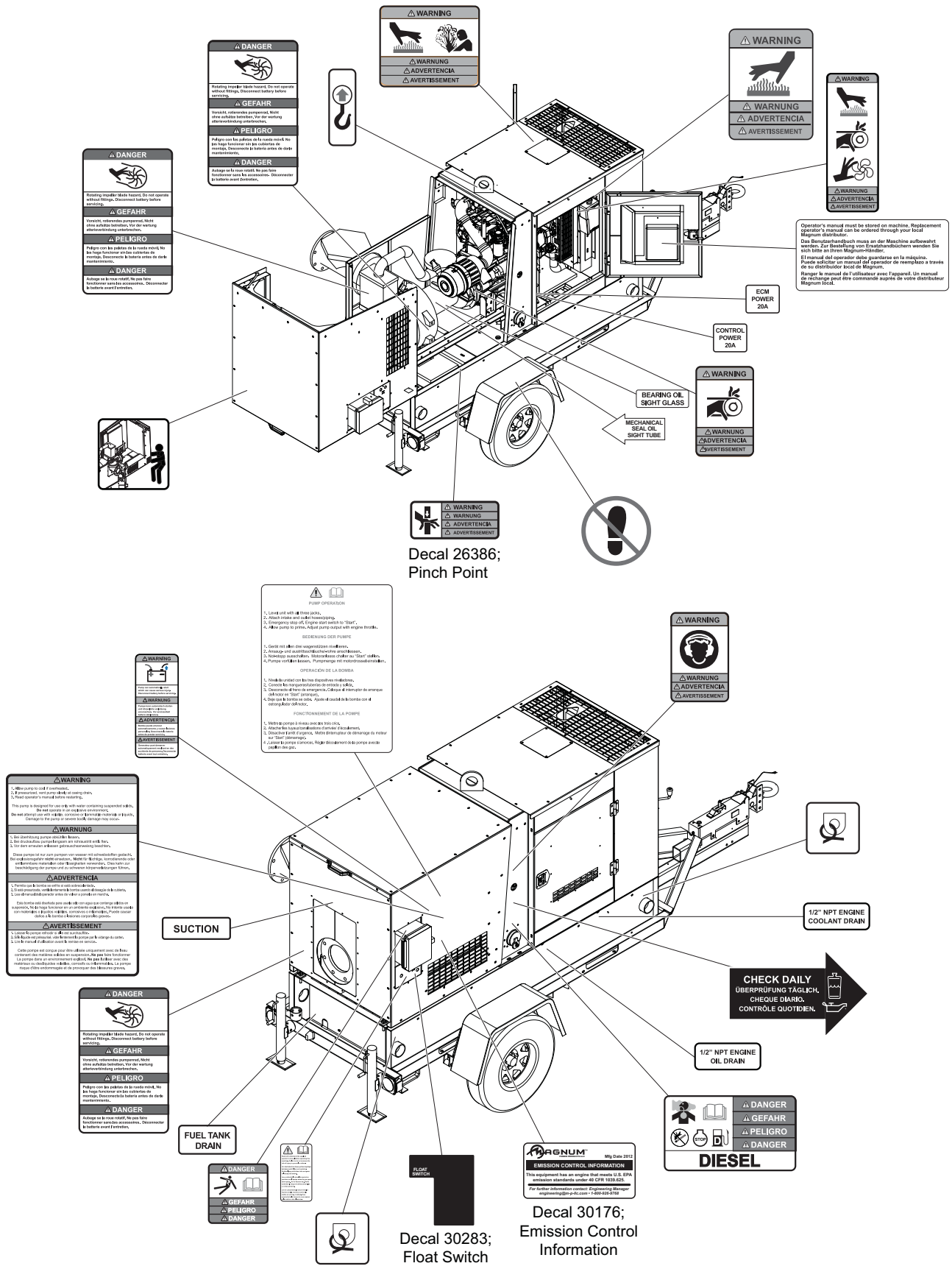
#### **CALIFORNIA PROPOSITION 65 WARNING:**

**Diesel engine exhaust and some of its constituents are known to the state of California to cause cancer, birth defects and other reproductive harm.**

# TABLE OF CONTENTS

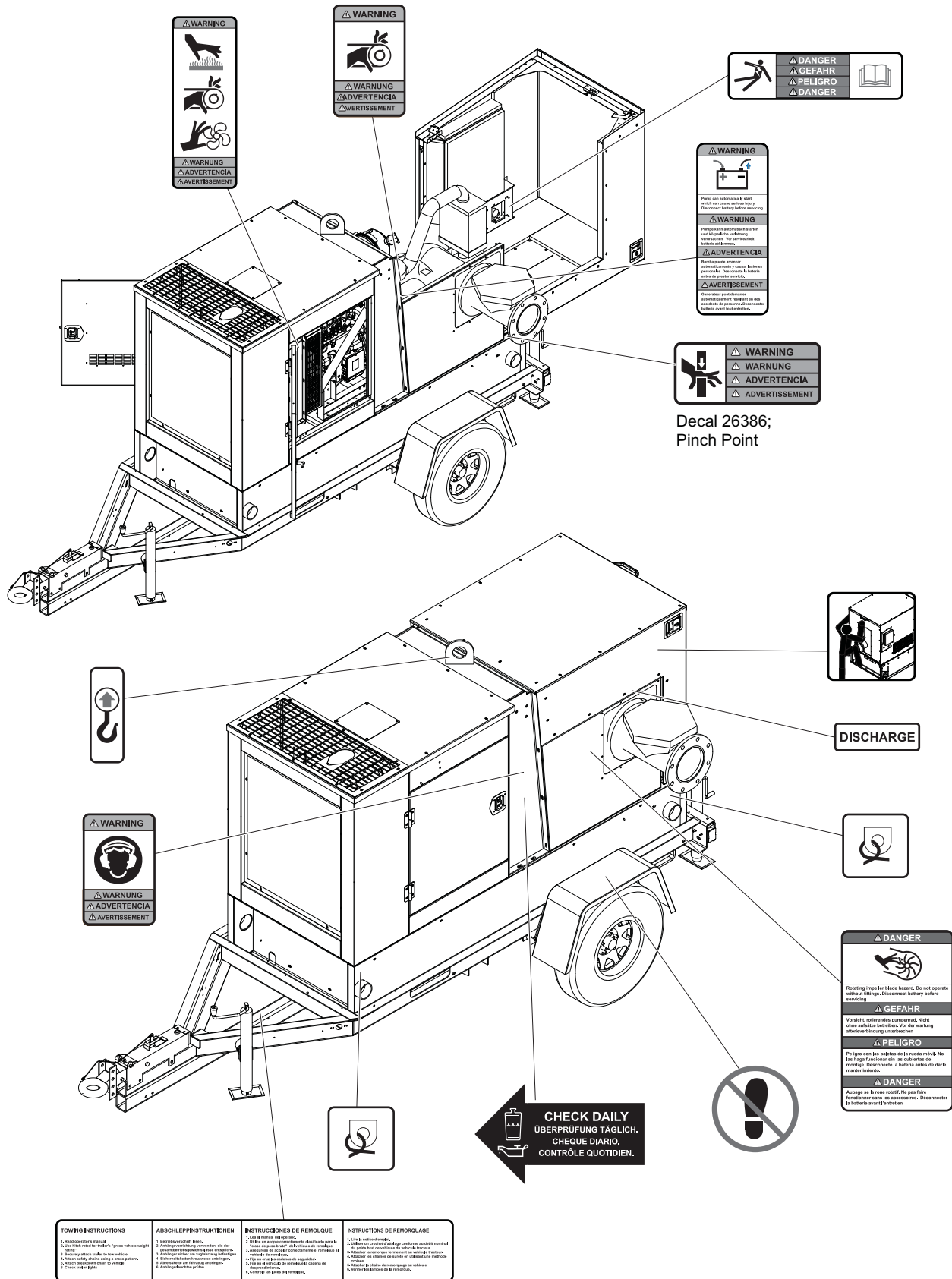
	Page
INTRODUCTION .....	2
UNIT DECALS - RIGHT AND REAR SIDES .....	4
UNIT DECALS - LEFT AND RIGHT SIDES .....	5
ENCLOSURE PANELS .....	6
REAR HOOD ASSEMBLY TO SKID .....	8
REAR HOOD ASSEMBLY (1 OF 3) .....	10
REAR HOOD ASSEMBLY (2 OF 3) .....	12
REAR HOOD ASSEMBLY (3 OF 3) .....	14
CONTROL BOX ASSEMBLY .....	16
SIDE OUTLET PANEL .....	18
ROOF PANEL .....	20
LEFT FRONT DOOR.....	22
RIGHT FRONT DOOR .....	24
FRONT AND SIDE PANELS TO UNIT.....	26
FRONT END PANELS TO UNIT .....	28
FRONT CORNER PANELS AND BULKHEAD TO UNIT .....	30
FRONT PANELS .....	32
COOLING SYSTEM ASSEMBLY .....	34
EXHAUST SYSTEM ASSEMBLY .....	36
LIFT STRUCTURE ASSEMBLY.....	38
ENGINE AND PUMP TO SKID .....	40
ENGINE AND PUMP ASSEMBLY .....	42
AIR FILTER ASSEMBLY .....	44
SUPPORT STRUCTURE TO SKID.....	46
SKID ASSEMBLY .....	48
FUEL TANK ASSEMBLY .....	50
TRAILER ASSEMBLY - SINGLE AXLE .....	52
TRAILER ASSEMBLY - TANDEM AXLE .....	54
BRAKE LINES - SINGLE AXLE .....	56
BRAKE LINES - TANDEM AXLE .....	58
RECOMMENDED SPARE PARTS .....	60
NOTES .....	61

# UNIT DECALS - RIGHT AND REAR SIDES



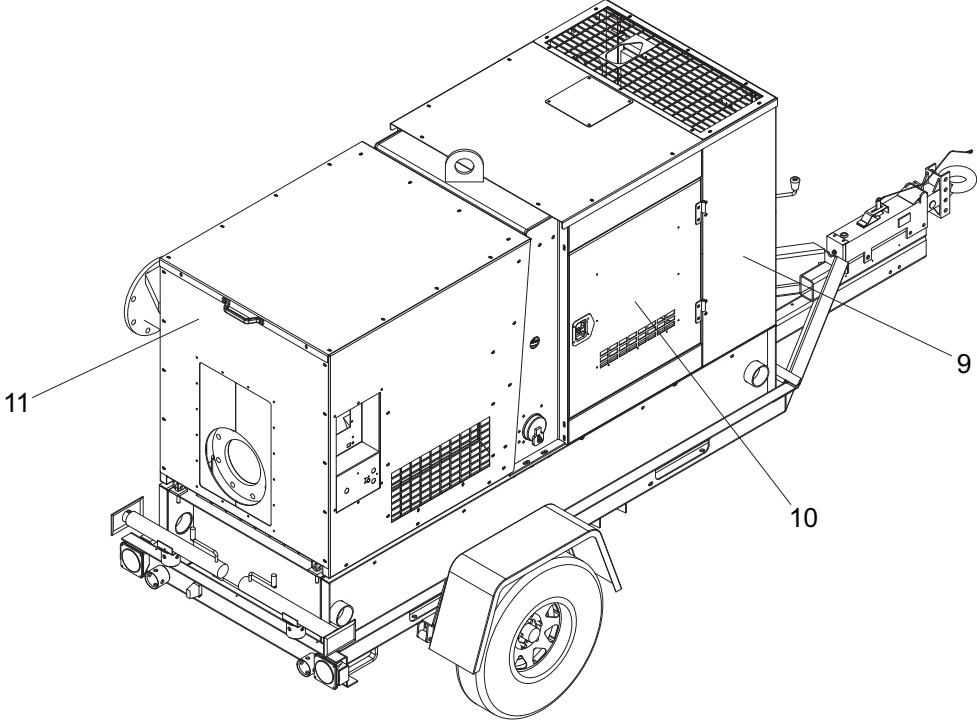
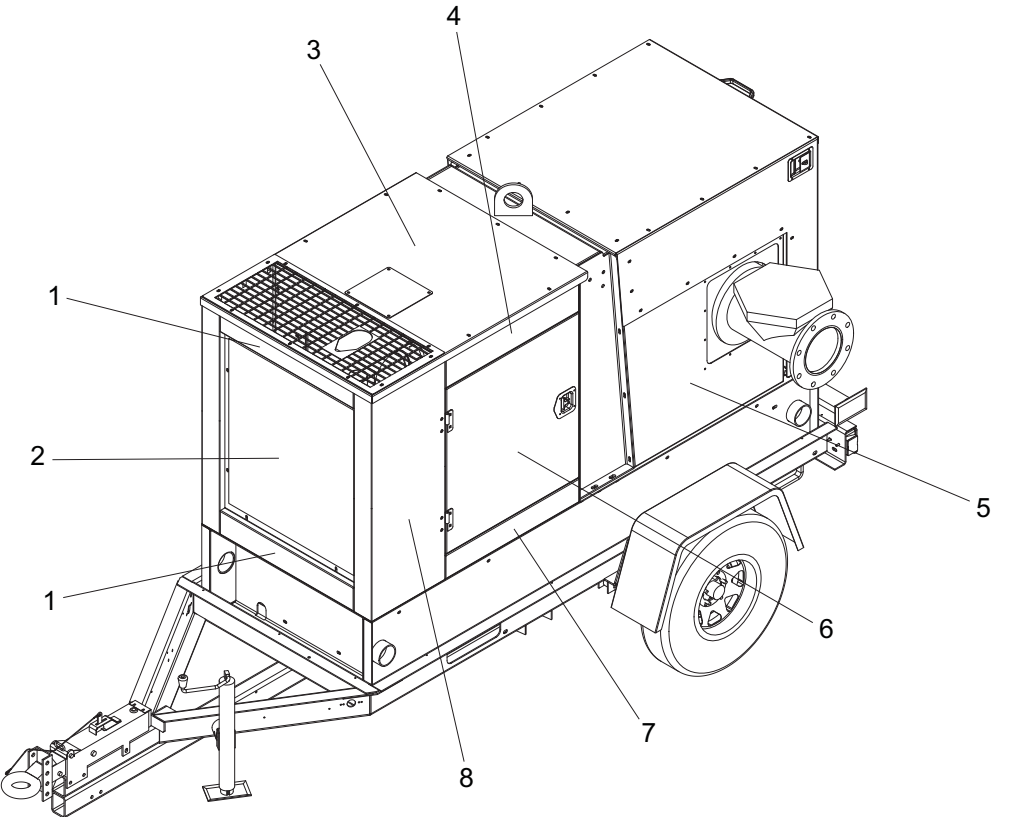
**Note:** All safety and operating decals shown above are located on decal sheet 49857, unless otherwise noted.

# UNIT DECALS - LEFT AND RIGHT SIDES



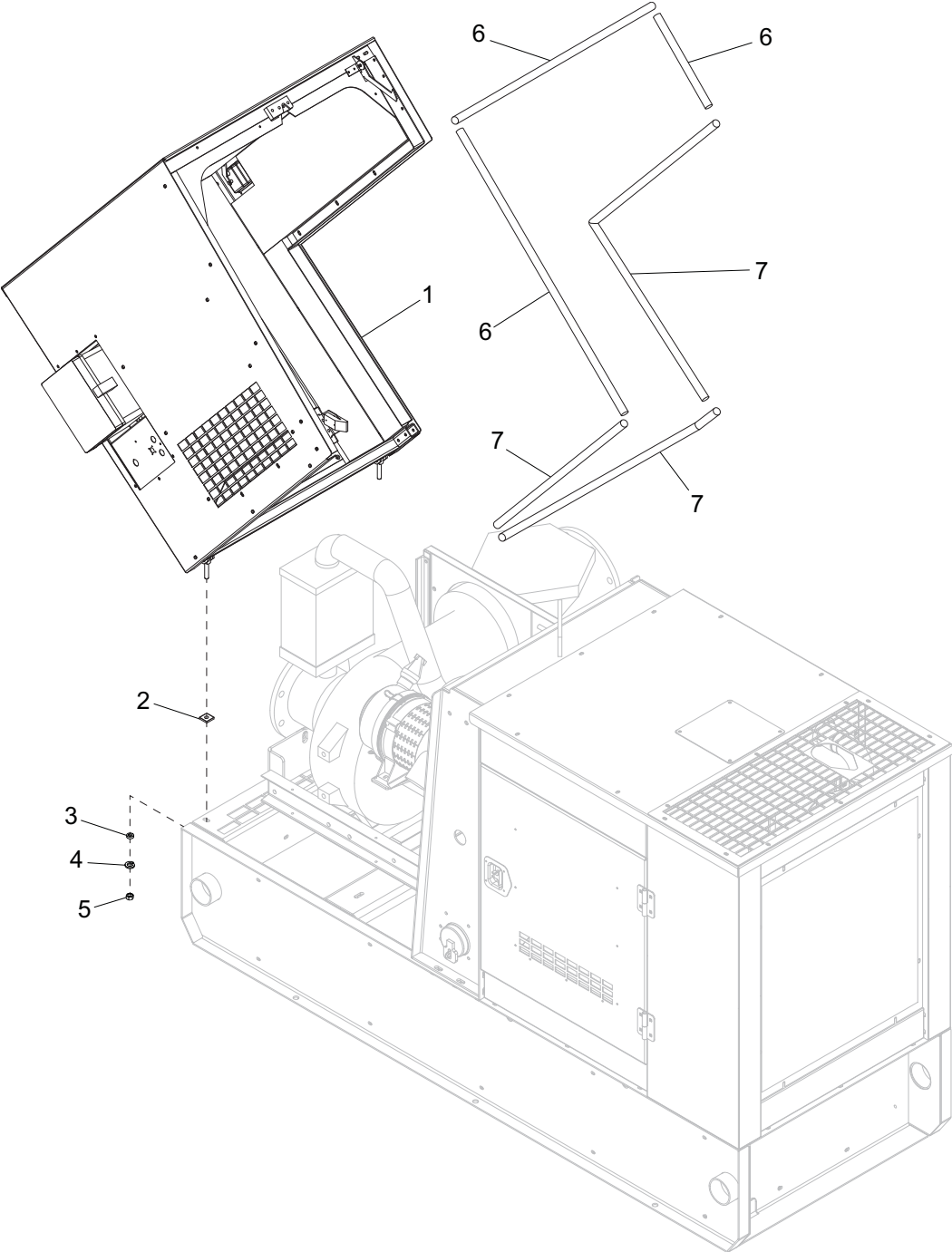
**Note:** All safety and operating decals shown above are located on decal sheet 49857, unless otherwise noted.

**ENCLOSURE PANELS**



<b>ITEM</b>	<b>PART NO.</b>	<b>QTY</b>	<b>DESCRIPTION</b>	<b>NOTES</b>
1	<a href="#">Page 31</a>	2	Front end panel assembly	
2	<a href="#">Page 31</a>	1	Front panel assembly	
3	<a href="#">Page 16</a>	1	Roof panel assembly	
4	<a href="#">Page 32</a>	2	Panel, upper side	
5	<a href="#">Page 18</a>	1	Side outlet panel	
6	<a href="#">Page 22</a>	1	Left front door assembly	
7	<a href="#">Page 32</a>	2	Panel, end assembly	
8	<a href="#">Page 31</a>	1	Left front corner assembly	
9	<a href="#">Page 31</a>	1	Right front corner assembly	
10	<a href="#">Page 24</a>	1	Right front door assembly	
11	<a href="#">Page 10</a>	1	Rear hood assembly	

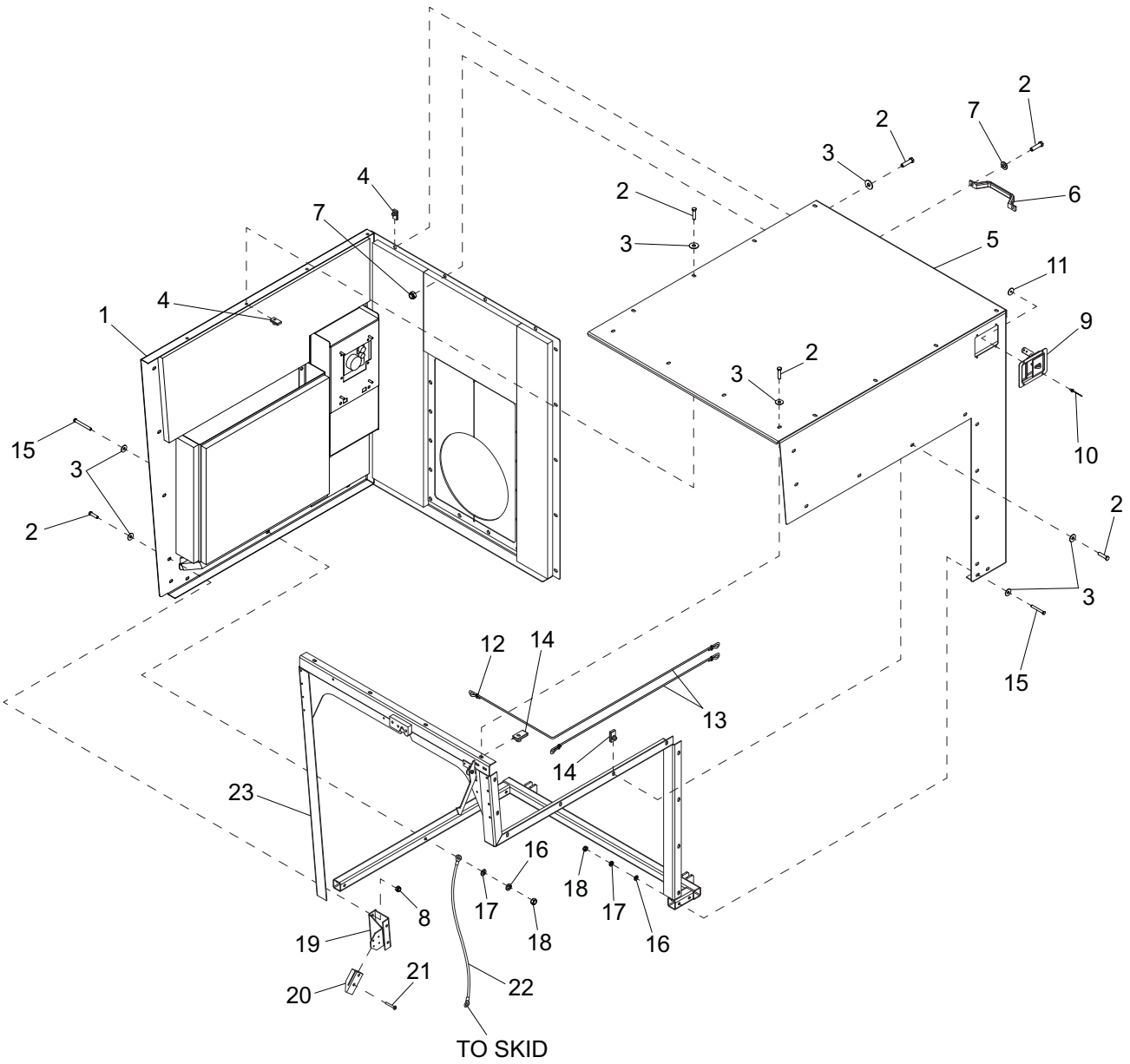
**REAR HOOD ASSEMBLY TO SKID**





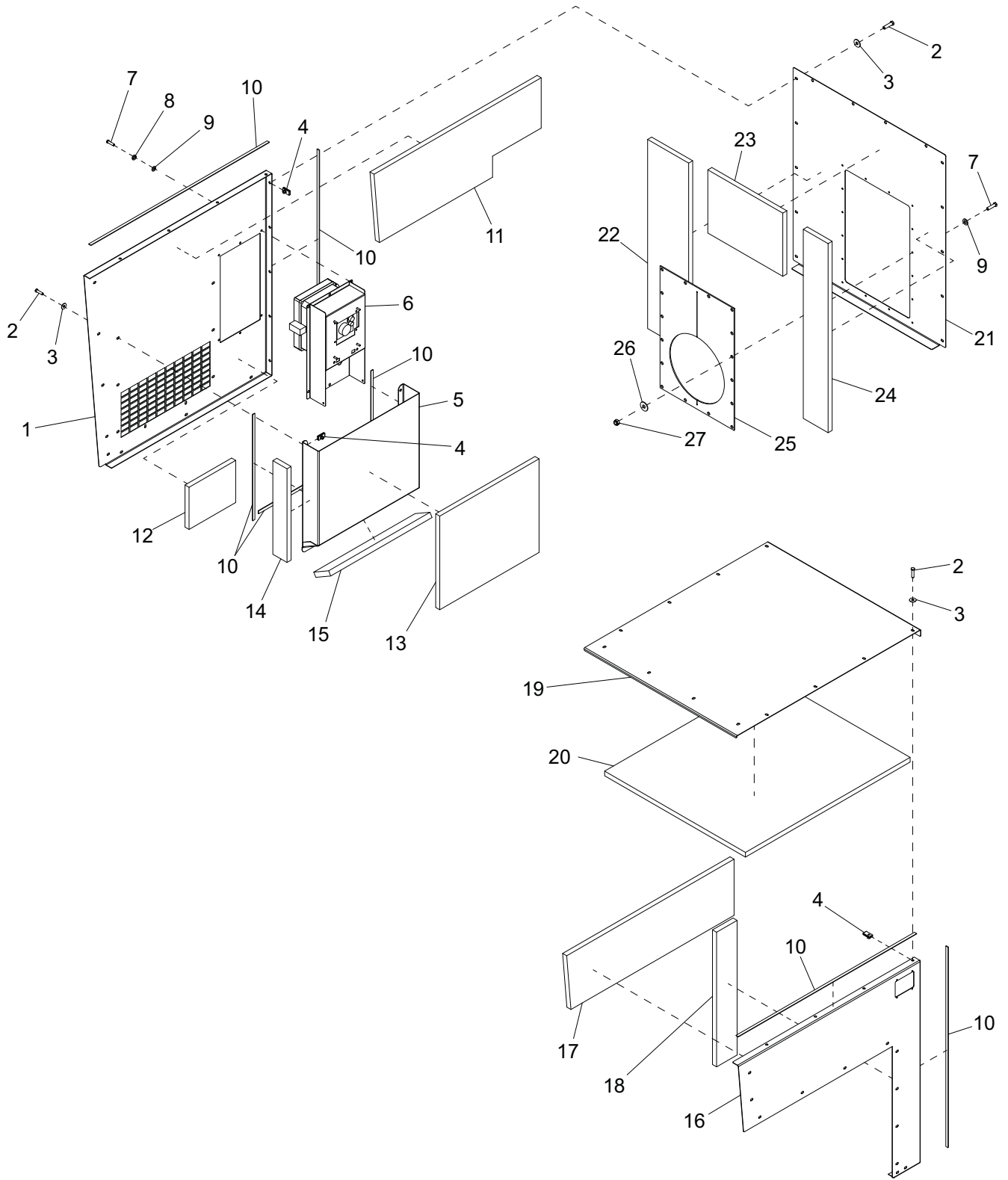
ITEM	PART NO.	QTY	DESCRIPTION	NOTES
1	49915	1	Assembly, rear hood	<a href="#">Page 10</a>
2	49893B	2	Plate, hood stop	
3	24748B	2	Spacer, rod end	
4	60702	2	Washer, .500 split lock, SS	
5	60681	2	Nut, .500-13 hex, SS	
6	50358	12 ft	Seal, rubber - bubble type (1.00)	
7	50354	6.83 ft	Seal, rubber - bubble type (.750)	

# REAR HOOD ASSEMBLY (1 OF 3)



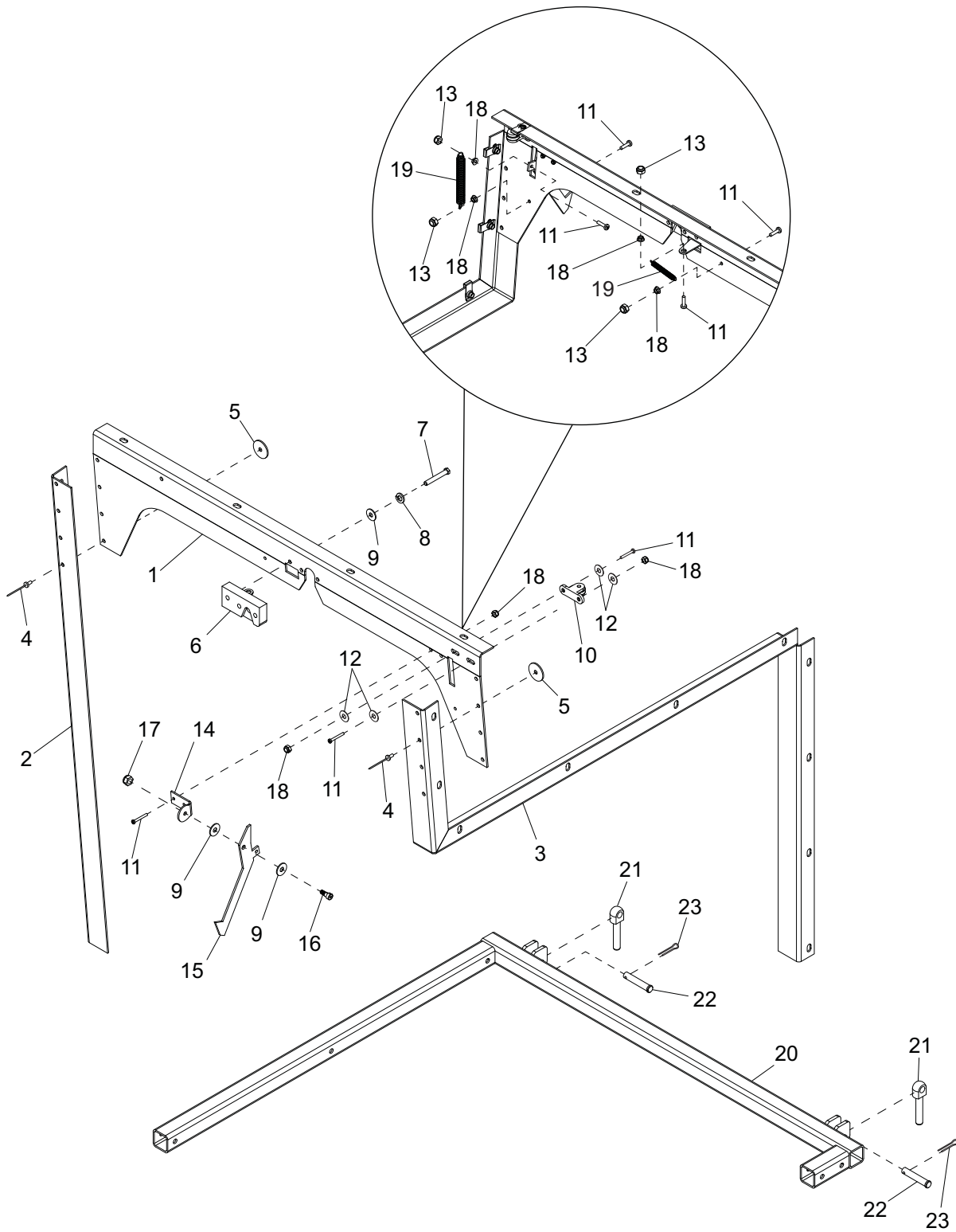
ITEM	PART NO.	QTY	DESCRIPTION	NOTES
1	<a href="#">Page 12</a>	1	Assembly, right rear panel	
2	60507	33	Screw, .312-18x1.0 std hex, SS	
3	60452	33	Washer, .313 flat 1.125/1.0, SS	Bonded rubber
4	62086	9	Nut, .312-18 U-clip - short type	
5	<a href="#">Page 12</a>	1	Assembly, top left panel	
6	26288	1	Handle, front hood access	
7	60340	2	Washer, .312 flat .875/.070	
8	60303	4	Nut, .312-18 nylock, G2	
9	24676	1	Latch, paddle w/padlock handle	
10	60268	4	Rivet, .188 dia. x .126 to .250 grip, SS	
11	60269	4	Washer, #8 flat .433/.036	
12	24678	2	Crimp, cable - for remote latch	
13	24677	1	Cable, remote latch - 56in	
14	60505	17	Nut, .312-18 U-clip - long type	
15	62043	5	Screw, .312-18x2.250 std hex, SS	
16	60119	5	Washer, .312 flat .875/.070	
17	60271	5	Washer, .312 split lock	
18	60285	5	Nut, .312-18 hex, G2	
19	24450B	1	Weldment, hood locator	
20	28521	1	Shoe, hood guide	
21	60426	4	Screw, 8-18x.750 flg hex, G2	
22	49898	1	Tether, cable steel - .188x30.0 w/eyelets	
23	<a href="#">Page 14</a>	1	Assembly, rear hood support structure	

# REAR HOOD ASSEMBLY (2 OF 3)



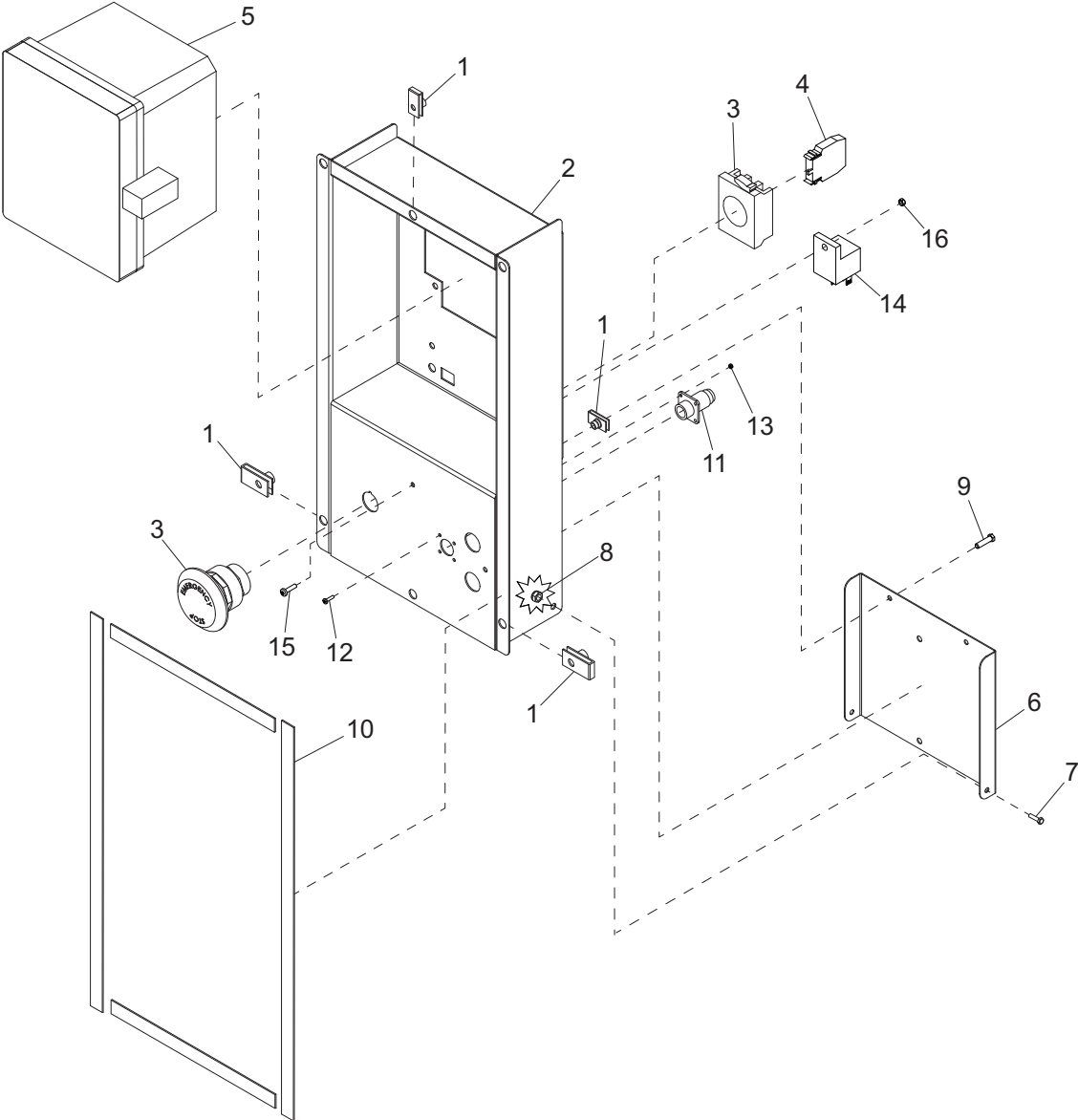
ITEM	PART NO.	QTY	DESCRIPTION	NOTES
1	49916NS	1	Panel, right side	
2	60507	18	Screw, .312-18x1.0 std hex, SS	
3	60452	18	Washer, .313 flat 1.125/1.0, SS	Bonded rubber
4	62086	19	Nut, .312-18 U-clip - short type	
5	49836NS	1	Duct	
6	30602	1	Assembly, control box	
7	60684	21	Screw, .250-20x.875 std hex, SS	
8	60704	5	Washer, .250 split lock	
9	60696	21	Washer, .250 flat .625/.050, SS	
10	50197	16.35 ft	Weatherstripping - .06x1.0	
11	49997	1	Foam, rear hood - top right	
12	49867	1	Foam, rear hood - bottom right	
13	49998	1	Foam, duct - face	
14	30848	1	Foam, duct - side	
15	30849	1	Foam, duct - bottom	
16	49917NS	1	Panel, left side	
17	30387	1	Foam, rear hood - top left	
18	30388	1	Foam, rear hood - bottom left	
19	49918NS	1	Panel, top	
20	49999	1	Foam, rear hood - top	
21	49919NS	1	Panel, rear	
22	49995	1	Foam, rear hood - right	
23	49996	1	Foam, rear hood - top	
24	49994	1	Foam, rear hood - left	
25	30534	1	Seal, rubber - 8.00 pump inlet	
26	60089	16	Washer, .265 fender 1.250/.060	
27	60144	16	Nut, .250-20 nylock, G5	

# REAR HOOD ASSEMBLY (3 OF 3)



ITEM	PART NO.	QTY	DESCRIPTION	NOTES
1	49982B	1	Bracket, top sealing	
2	49981B	1	Bracket, side sealing - right	
3	49983B	1	Bracket, side sealing - left	
4	60231	8	Rivet, .188 dia. x .375 to .500 grip	
5	60269	8	Washer, #8 flat .433/.036	
6	26287	1	Latch, remote - right w/spring return	
7	60393	3	Screw, .250-20x1.00 std hex, G5	
8	60286	3	Washer, .250 split lock	
9	60243	5	Washer, .250 flat .735/.060	
10	24441	1	Pulley, cable - .750in	
11	60062	7	Screw, 10-32x.750 pan phil, G2	
12	60041	4	Washer, M5 flat	
13	60061	4	Nut, 10-32 nylock	
14	24822B	1	Bracket, prop rod	
15	24850ZC	1	Plate, secondary latch	
16	61138	1	Screw, shld - .312x.250 soc hex	
17	60144	1	Nut, .250-20 nylock	
18	61045	7	Nut, 10-32 sflg	
19	26162	2	Spring, .250x1.93 - rear hood	
20	49924B	1	Weldment, hood hinge	
21	60989	2	Bolt, .50-13x3.125 rod end	
22	60745	2	Pin, clevis - .500 dia.x1.500	
23	15380	2	Pin, cotter - .125x1.250	

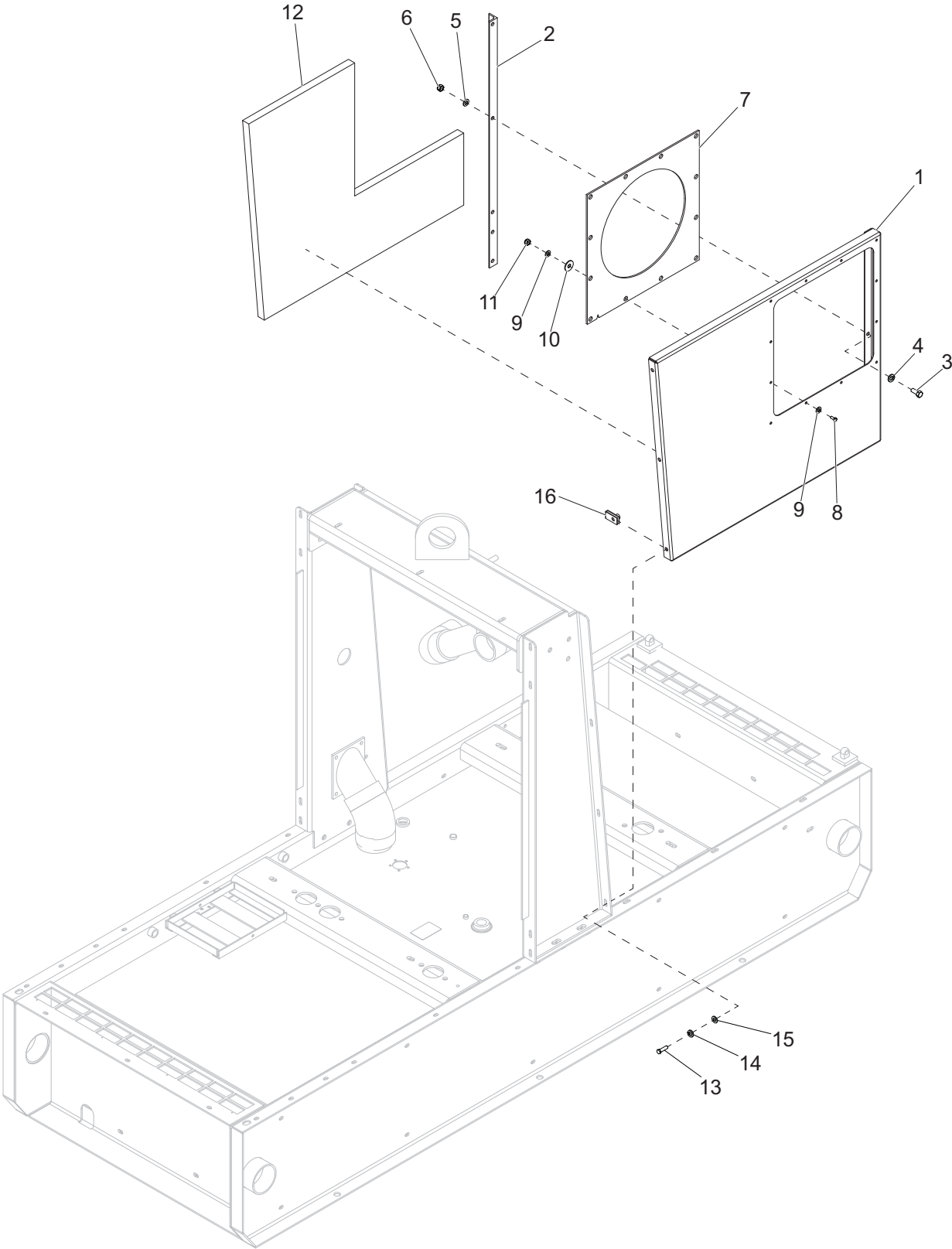
# CONTROL BOX ASSEMBLY





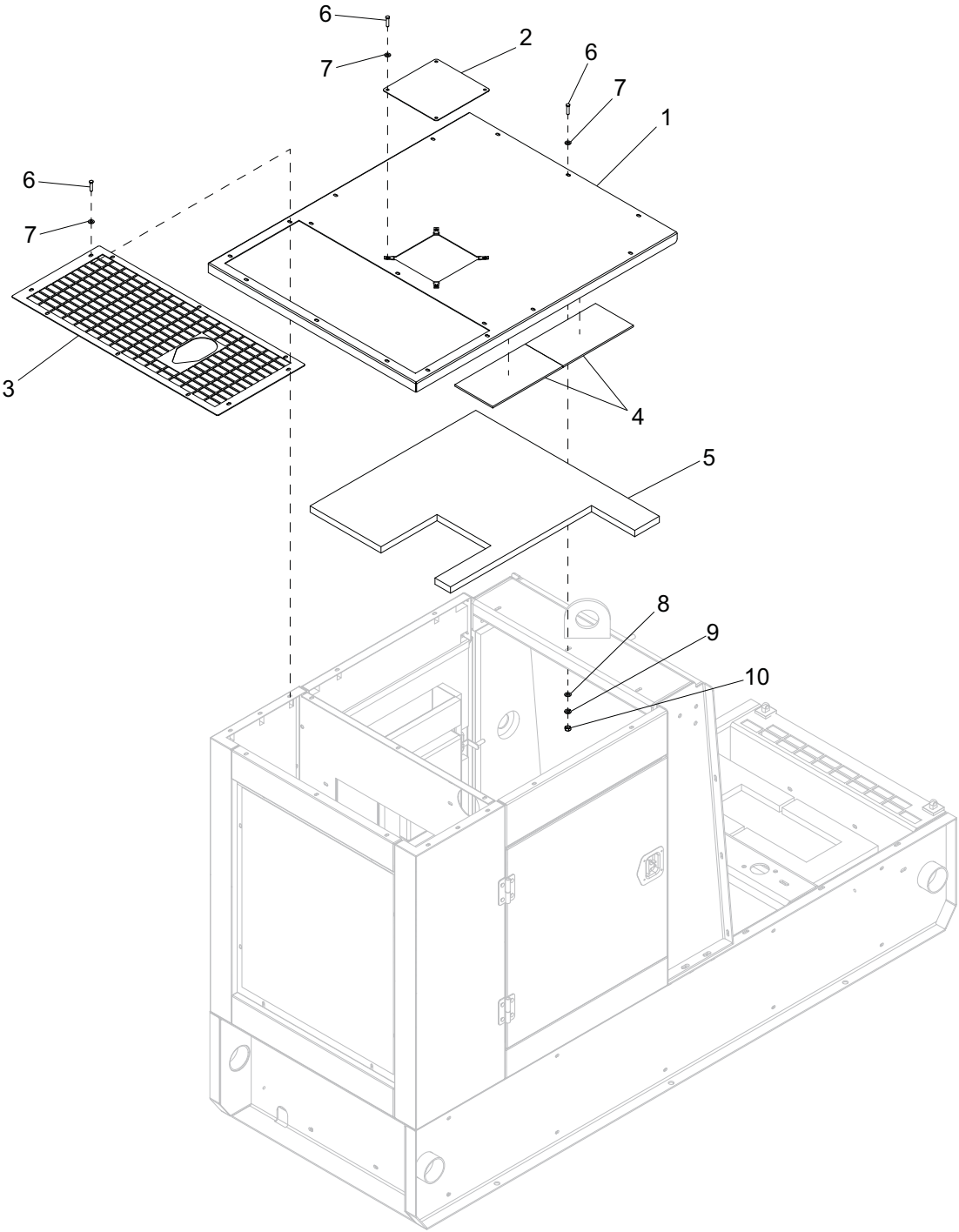
ITEM	PART NO.	QTY	DESCRIPTION	NOTES
1	61143	6	Nut, .250-20 U-clip - short type	
2	49639B	1	Box, controls mounting	
3	65470	1	Switch, E-stop operator	
4	65584	1	Block, E-stop contactor - NO/NO	
5	30695	1	Controller, programmed - LOFA 750	
6	49888B	1	Panel, controls mounting box	
7	60281	2	Screw, .250-20x.750 std hex, G5	
8	60144	2	Nut, .250-20 nylock, G5	
9	60175	2	Screw, .250-20x.500 sflg hex, G5	
10	50230	4 ft	Weatherstripping - .188x.500	
11	49986	1	Harness, float switch extension - LOFA	
12	62187	5	Screw, 4-40x.500 pan phil, SS	
13	60758	5	Nut, 4-40 nylock, G2	
14	66455	1	Relay, 12V/70A NC/80A NO w/diode	
15	60398	1	Screw, 10-32x.500 pan phil, SS	
16	60061	1	Nut, 10-32 nylock	
--	30602	1	Assembly, control box	Items 1 - 15

**SIDE OUTLET PANEL**



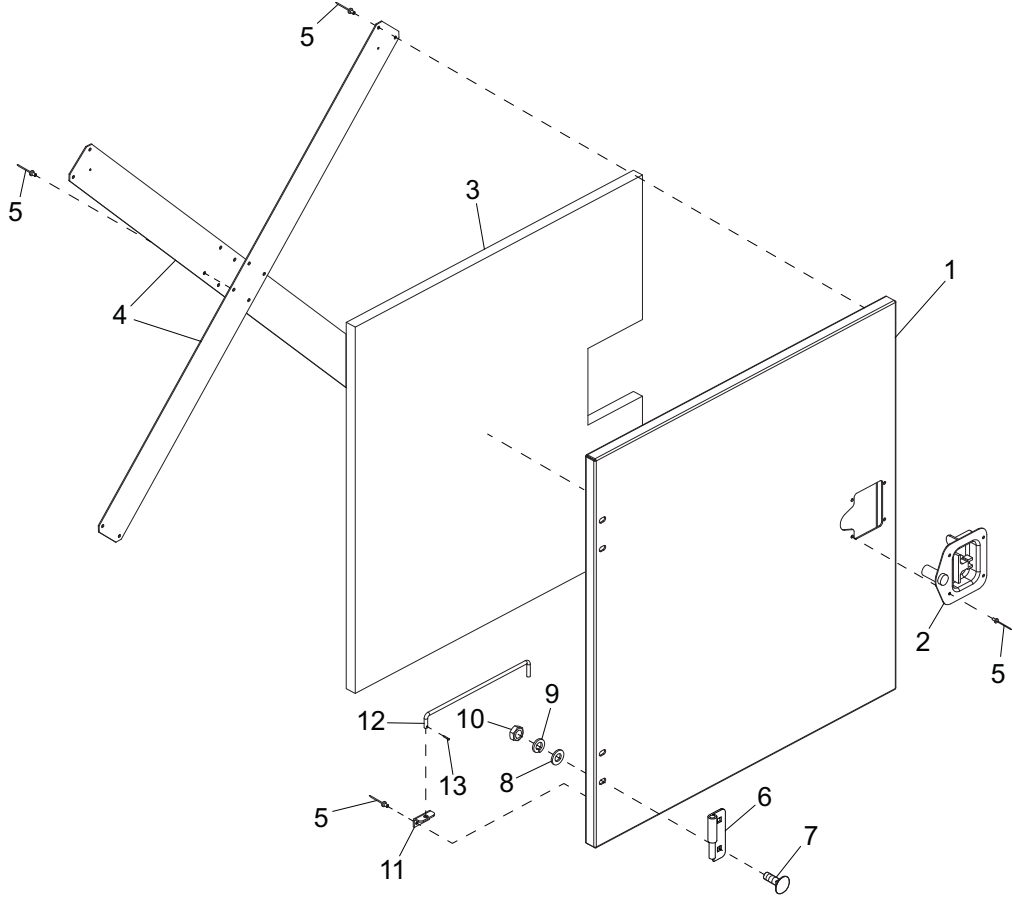
<b>ITEM</b>	<b>PART NO.</b>	<b>QTY</b>	<b>DESCRIPTION</b>	<b>NOTES</b>
1	49920NS	1	Panel, side outlet	
2	30551B	1	Stiffener, side panel	
3	60690	5	Screw, .375-16x1.0 std hex	
4	60206	5	Washer, .375 split lock	
5	60698	5	Washer, .375 flat .875/.040	
6	60358	5	Nut, .375-16 nylock, G5	
7	30534	1	Seal, rubber - 8.00 pump inlet NPC	
8	60684	12	Screw, .250-20x.875 std hex	
9	60696	24	Washer, .250 flat .625/.050	
10	60089	12	Washer, .265 fndr 1.250/.060	
11	60144	12	Nut, .250-20 nylock, G5	
12	30817	1	Foam, outlet panel	
13	60507	3	Screw, .312-18x1.00 std hex	
14	60271	3	Washer, .312 split lock	
15	60340	3	Washer, .312 flat .875/.040	
16	62086	3	Nut, .312-18 U-clip - short type	

**ROOF PANEL**



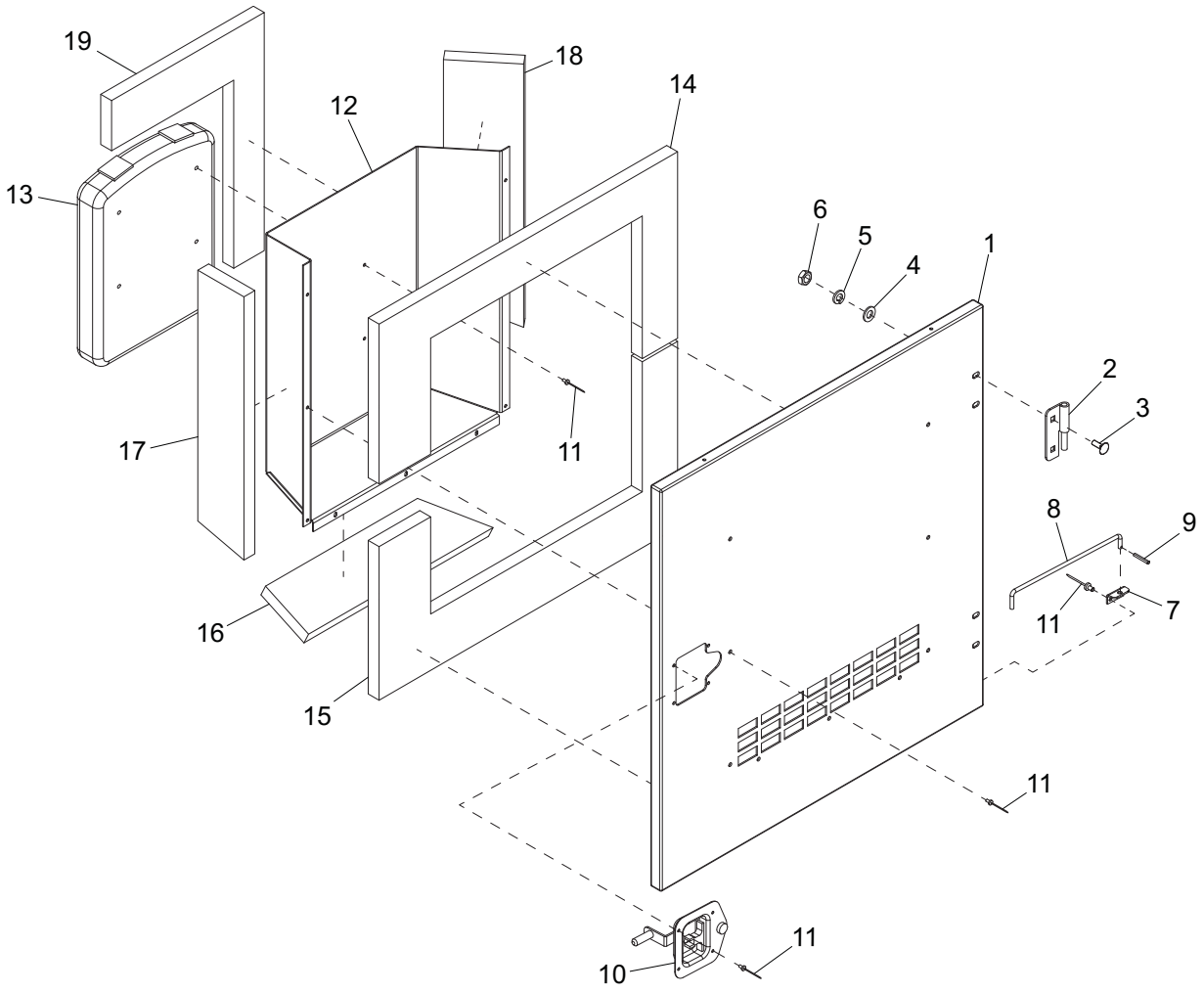
ITEM	PART NO.	QTY	DESCRIPTION	NOTES
1	49941NS	1	Panel, roof front	
2	25053NS	1	Panel, access	
3	26422B	1	Panel, roof insert	
4	23361	2	Insulation, ceramic roof	
5	26424	1	Foam, front roof	
6	60507	21	Screw, .312-18x1.0 std hex, SS	
7	60452	21	Washer, .313 flat 1.125/1.0	Bonded rubber
8	60119	3	Washer, .312 flat .875/.070	
9	60271	3	Washer, .312 split lock	
10	60095	3	Nut, .312-18 sflg	

LEFT FRONT DOOR



ITEM	PART NO.	QTY	DESCRIPTION	NOTES
1	20946NS	1	Panel, left front door	
2	22497	1	Latch, T-handle - left cw lock	
3	20967	1	Foam, door	
4	20948B	2	Brace, door	
5	60268	18	Rivet, .188 dia.x.126 to .250 grip, SS	
6	18459	2	Hinge, right (male)	
7	61066	4	Screw, .312-18x1.0 carr sqr, SS	
8	60243	4	Washer, .250 flat .735/.060	
9	60271	4	Washer, .312 split lock	
10	60285	4	Nut, .312-18 hex, G2	
11	20916Z	1	Bracket, prop rod	
12	18900ZC	1	Rod, door prop	
13	60048	1	Pin, roll - .125x.625	

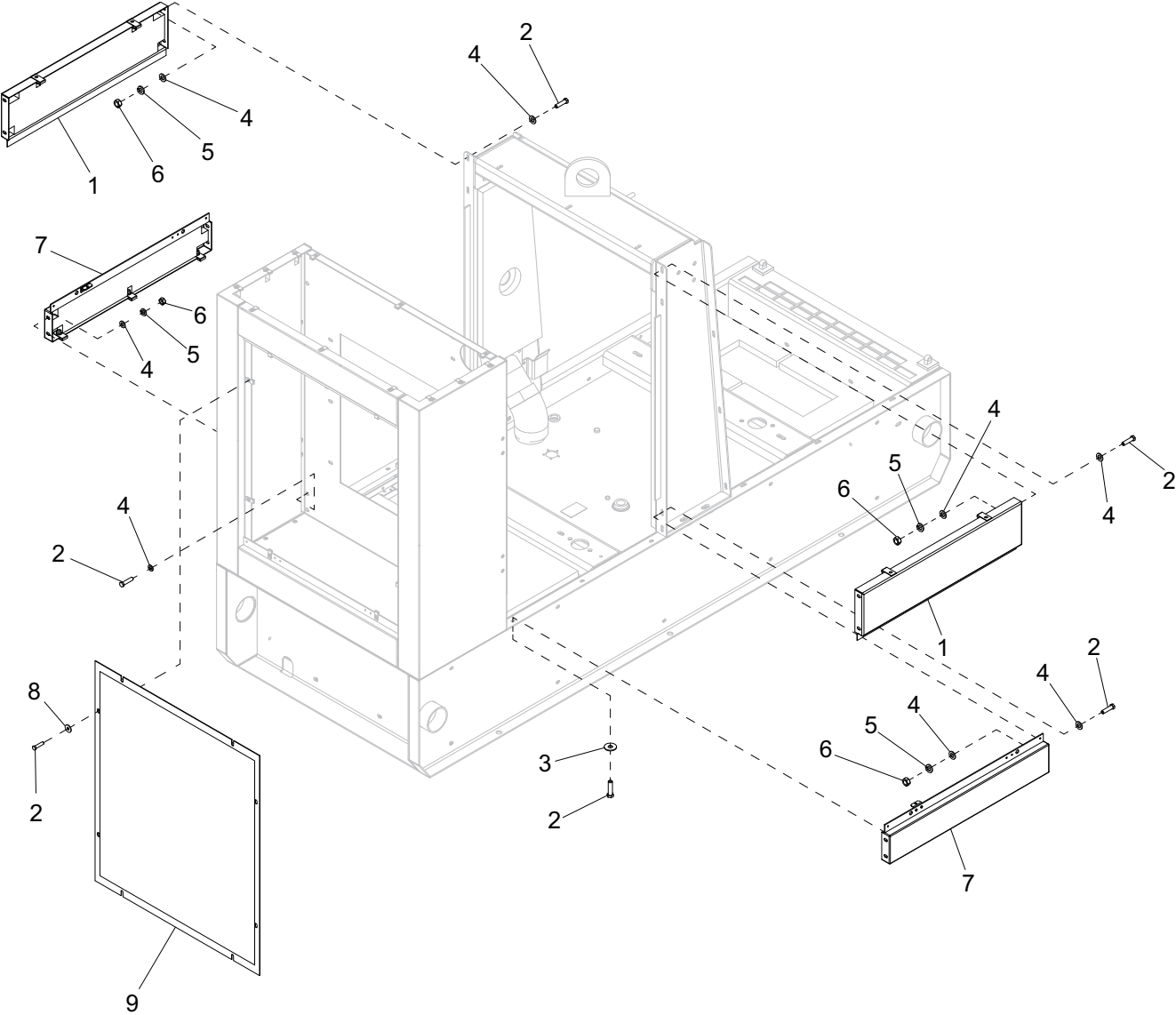
# RIGHT FRONT DOOR





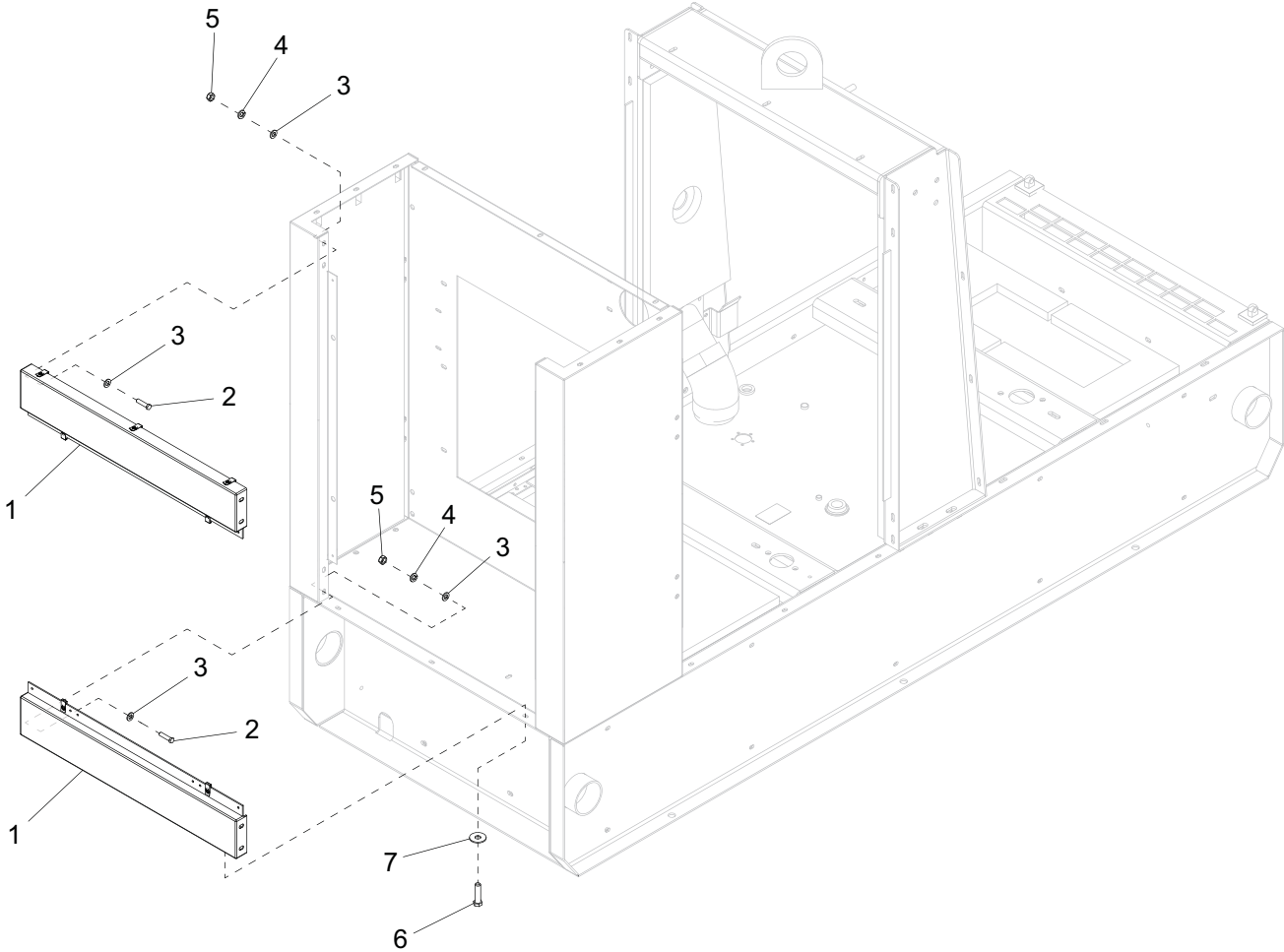
ITEM	PART NO.	QTY	DESCRIPTION	NOTES
1	20669NS	1	Panel, right front door	
2	18461	2	Hinge, left (male)	
3	61066	4	Screw, .312-18x1.0 carr sqr, SS	
4	60243	4	Washer, .250 flat .735/.060	
5	60271	4	Washer, .312 split lock	
6	60285	4	Nut, .312-18 hex, G2	
7	20916Z	1	Bracket, prop rod	
8	18900ZC	1	Rod, door prop	
9	60048	1	Pin, roll - .125x.625	
10	22498	1	Latch, T-handle - right ccw lock	
11	60268	19	Rivet, .188 dia. x .126 to .250 grip, SS	
12	26509NS	1	Duct, door	
13	24540	1	Holder, manual (plastic)	
14	21104	1	Foam, door - top	
15	21105	1	Foam, door - bottom	
16	26519	1	Foam, duct - bottom	
17	30225	1	Foam, duct side - right	
18	26518	1	Foam, duct side - left	
19	26520	1	Foam, duct - face	

**FRONT AND SIDE PANELS TO UNIT**



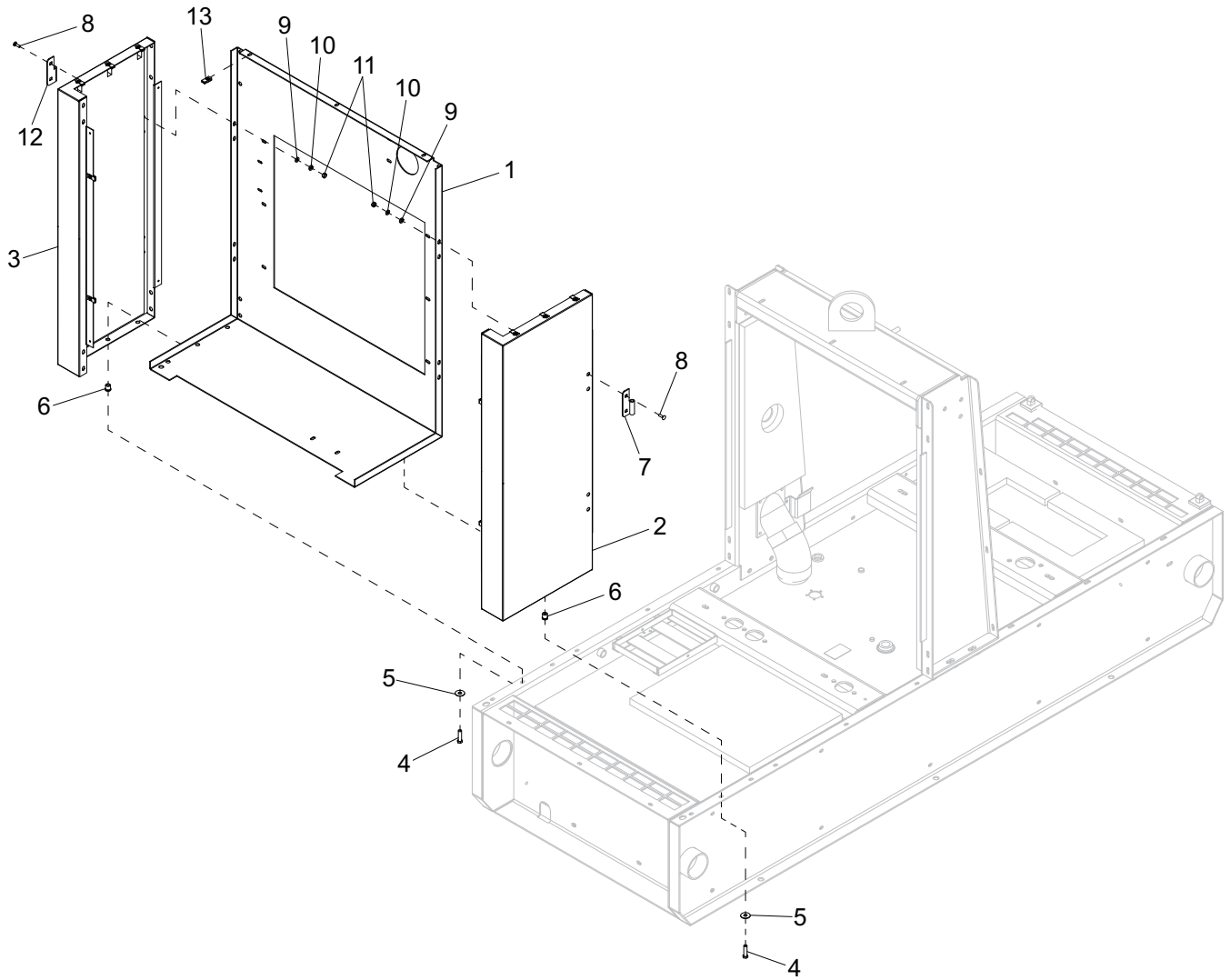
ITEM	PART NO.	QTY	DESCRIPTION	NOTES
1	<a href="#">Page 32</a>	2	Assembly, upper side panel	
2	60507	30	Screw, .312-18x1.0 std hex, SS	
3	60340	6	Washer, .312 flat .875/.040, SS	
4	60119	32	Washer, .312 flat .875/.070	
5	60271	16	Washer, .312 split lock	
6	60095	16	Nut, .312-18 sflg	
7	<a href="#">Page 32</a>	2	Assembly, lower side panel	
8	60452	8	Washer, .313 flat 1.125/1.0	Bonded rubber
9	<a href="#">Page 32</a>	1	Assembly, front panel	

**FRONT END PANELS TO UNIT**



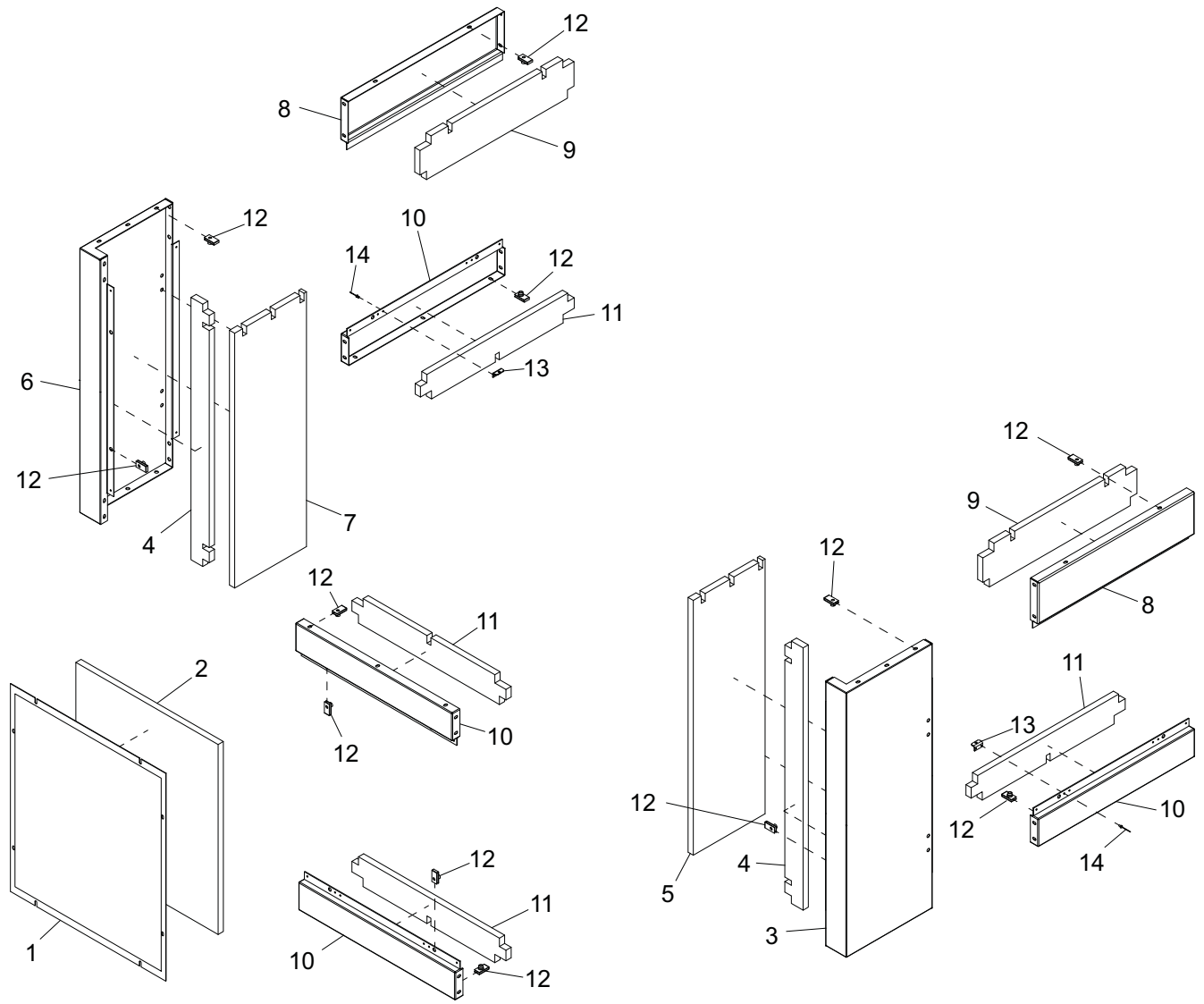
ITEM	PART NO.	QTY	DESCRIPTION	NOTES
1	<a href="#">Page 32</a>	2	Assembly, end panel	
2	60507	8	Screw, .312-18x1.0 std hex, SS	
3	60119	16	Washer, .312 flat .875/.070	
4	60271	8	Washer, .312 split lock	
5	60095	8	Nut, .312-18 sflg	
6	60507	3	Screw, .312-18x1.0 std hex, SS	
7	60340	3	Washer, .313 flat .875/.040, SS	

# FRONT CORNER PANELS AND BULKHEAD TO UNIT



ITEM	PART NO.	QTY	DESCRIPTION	NOTES
1	26420B	1	Panel, bulkhead	
2	<a href="#">Page 32</a>	1	Assembly, left front corner	
3	<a href="#">Page 32</a>	1	Assembly, right front corner	
4	60507	6	Screw, .312-18x1.0 std hex, SS	
5	60340	6	Washer, .312 flat .875/.040, SS	
6	62133	6	Insert, thrd - .312-18 splined .027-.150 grip	
7	18462	2	Hinge, right (female)	
8	61066	8	Screw, .312-18x1.0 carr sqr, SS	
9	60243	8	Washer, .250 flat .735/.060	
10	60271	8	Washer, .312 split lock	
11	60285	8	Nut, .312-18 hex, G2	
12	18460	2	Hinge, left (female)	
13	60505	3	Nut, .312-18 U-clip - long type	

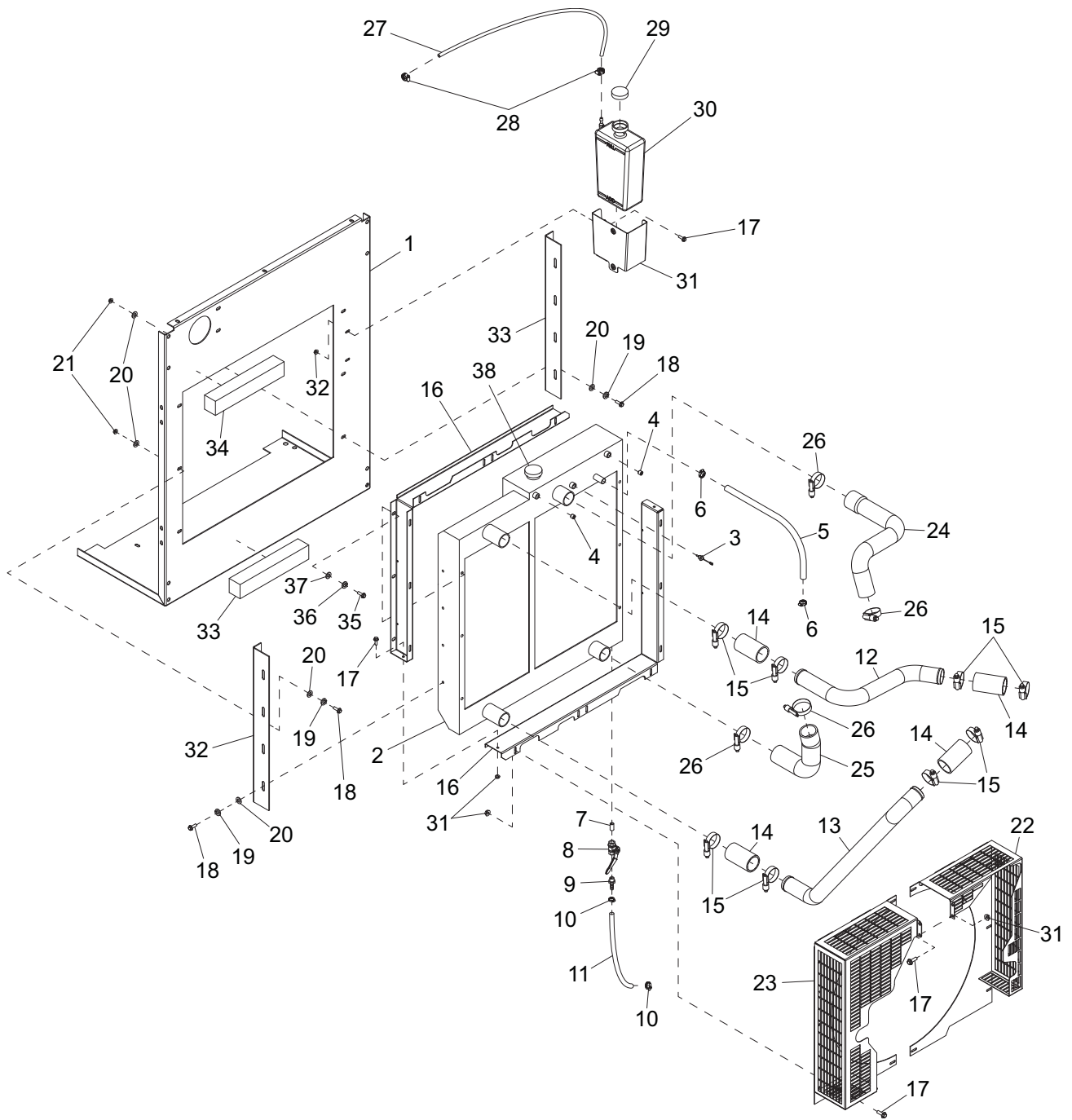
# FRONT PANELS





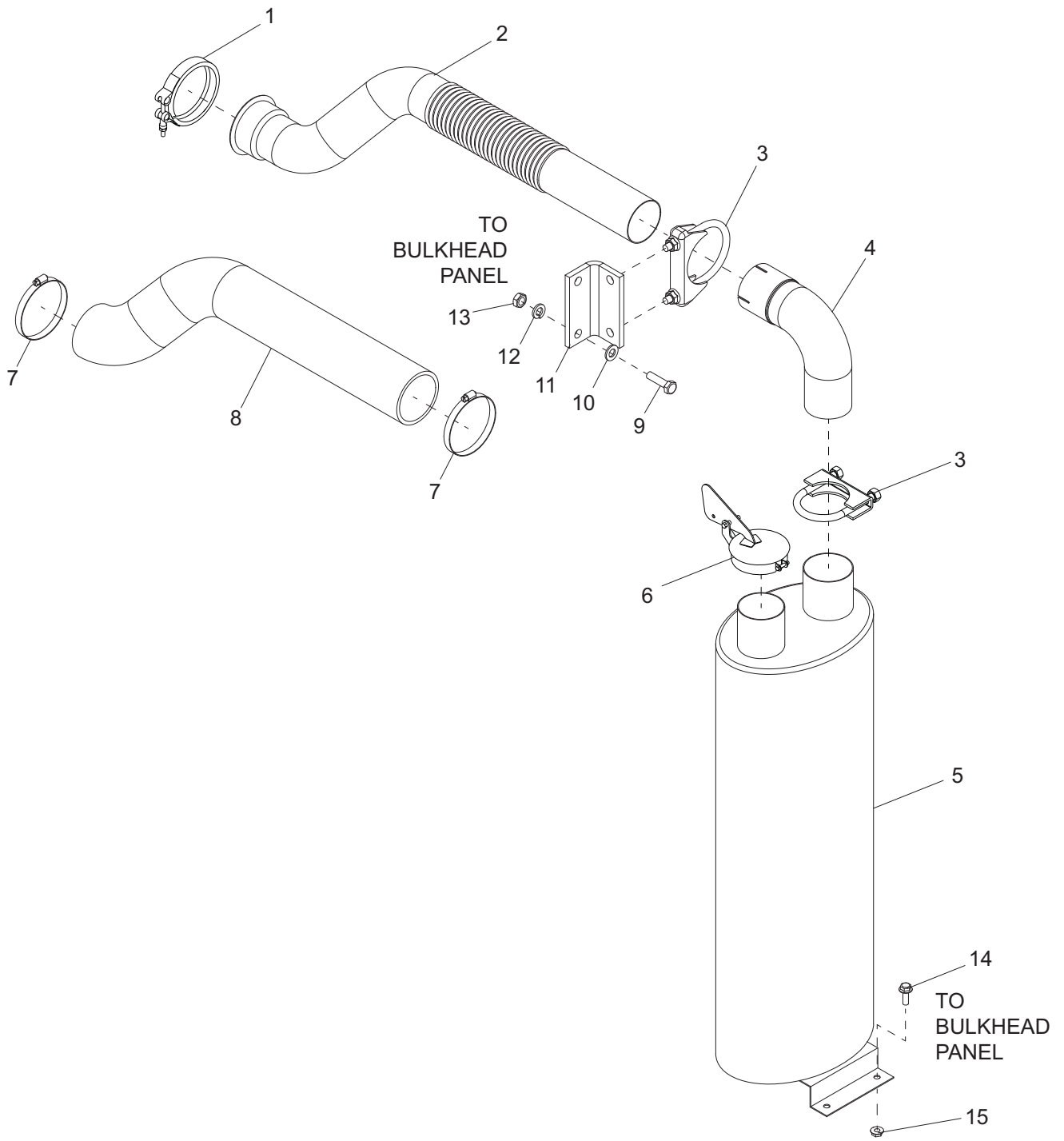
<b>ITEM</b>	<b>PART NO.</b>	<b>QTY</b>	<b>DESCRIPTION</b>	<b>NOTES</b>
1	20750NS	1	Panel, front upper	
2	20800	1	Foam, front panel	
3	20663NS	1	Panel, left front corner	
4	20795	2	Foam, common corner	
5	20792	1	Foam, left front corner	
6	20662NS	1	Panel, right front corner	
7	20791	1	Foam, right front corner	
8	49940NS	2	Panel, upper side	
9	30581	2	Foam, front - upper	
10	20668NS	4	Panel, end	
11	20794	4	Foam, end panel	
12	60505	28	Nut, .312-18 U-clip - long type	
13	20916Z	2	Bracket, prop rod	
14	60268	4	Rivet, .188 dia. x .126 to .250 grip, SS	

# COOLING SYSTEM ASSEMBLY



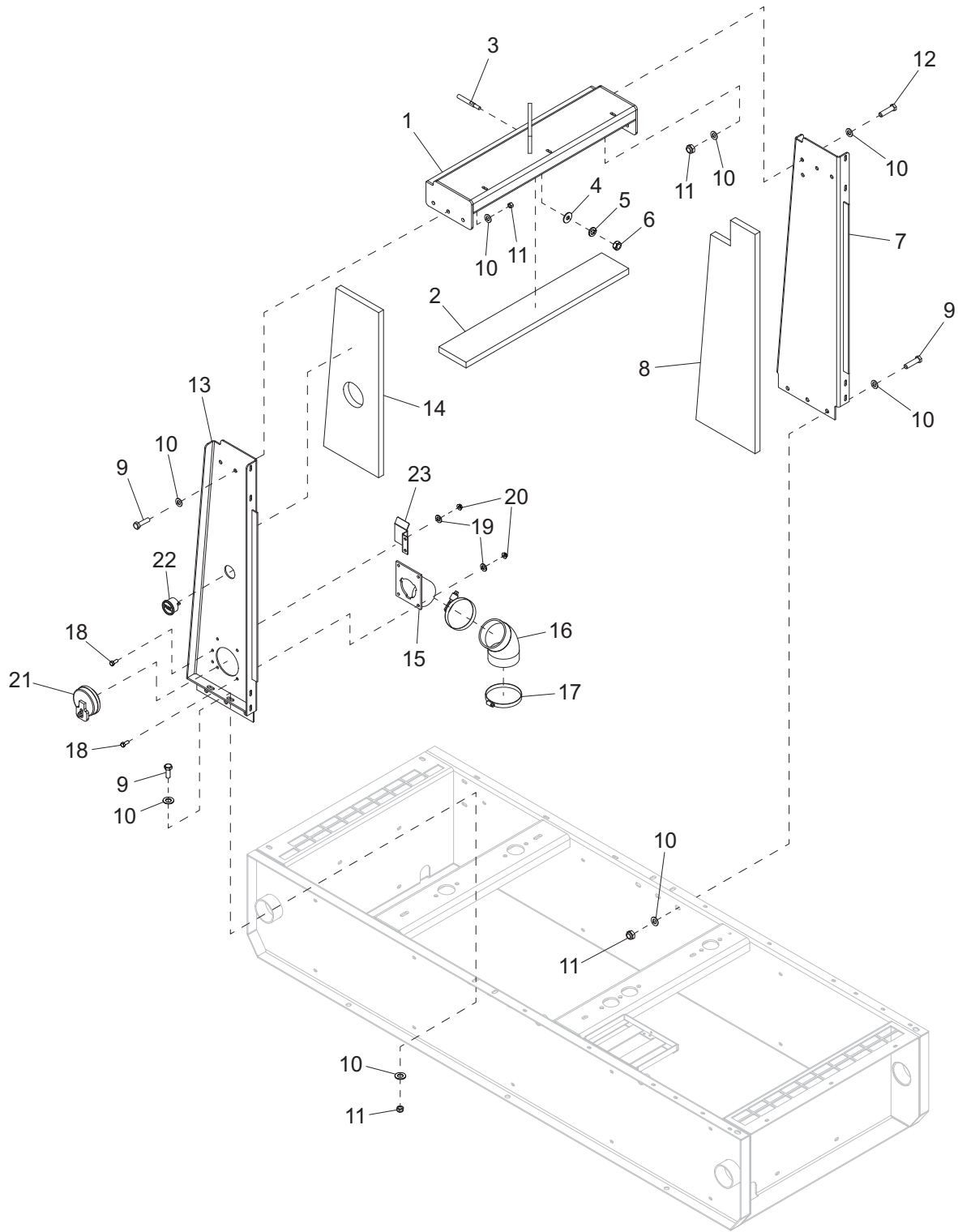
ITEM	PART NO.	QTY	DESCRIPTION	NOTES
1	<a href="#">Page 30</a>	1	Panel, bulkhead	
2	26221	1	Radiator	
3	30942	1	Assembly, low coolant switch/harness	
4	18394	2	Fitting, plug - .500NPT x internal hex	
5	50170	2.91 ft	Hose, .750 in., class A	
6	19338	2	Clamp, hose - SAE 016 (.68-1.50)	
7	60438	1	Fitting, pipe nipple - .500NPT x close	
8	19279	1	Valve, ball .500NPTF	
9	60502	1	Fitting, strt-.500MNPTx.625 barb, brs	
10	60365	2	Clamp, hose - SAE 010 (.56-1.06)	
11	50201	.83 ft	Hose, .625 in., 200 psi, class A	
12	26232	1	Pipe, CAC inlet	
13	26231	1	Pipe, CAC outlet	
14	28540	4	Hose, CAC - 2.00x4.00 long	
15	60660	8	Clamp, hose - const. torque 1.75-2.625	
16	26292B	2	Shroud, radiator	
17	60175	19	Screw, .250-20x.500 sflg hex, G5	
18	60168	20	Screw, .312-18x.750 std hex, G5	
19	60271	20	Washer, .312 split lock	
20	60119	40	Washer, .312 flat .875/.070	
21	60285	6	Nut, .312-18 hex, G2	
22	26299B	1	Weldment, fan guard - right	
23	26300B	1	Weldment, fan guard - left	
24	26468	1	Hose, radiator - upper	
25	26295	1	Hose, radiator - lower	
26	60316	8	Clamp, hose - SAE 032 (1.56-2.50)	
27	50018	1.67 ft	Hose, fuel - .312 ID, 50 psi, SAE 30R7	
28	14216	2	Clamp, hose - SAE 004 (.21-.62) mini	
29	19714	1	Cap, overflow bottle	
30	24952	1	Jug, overflow 2.5 qt	
31	26211B	1	Bracket, overflow jug	
32	60161	19	Nut, .250-20 sflg, G5	
33	26296B	2	Bracket, radiator	
34	26724	2	Foam, CAC sealing - top/bottom	
35	60451	6	Screw, .375-16x.625 flg hex	
36	60206	6	Washer, .375 split lock	
37	60698	6	Washer, .375 flat .875/.040, SS	
38	31146	1	Cap, radiator	

# EXHAUST SYSTEM ASSEMBLY



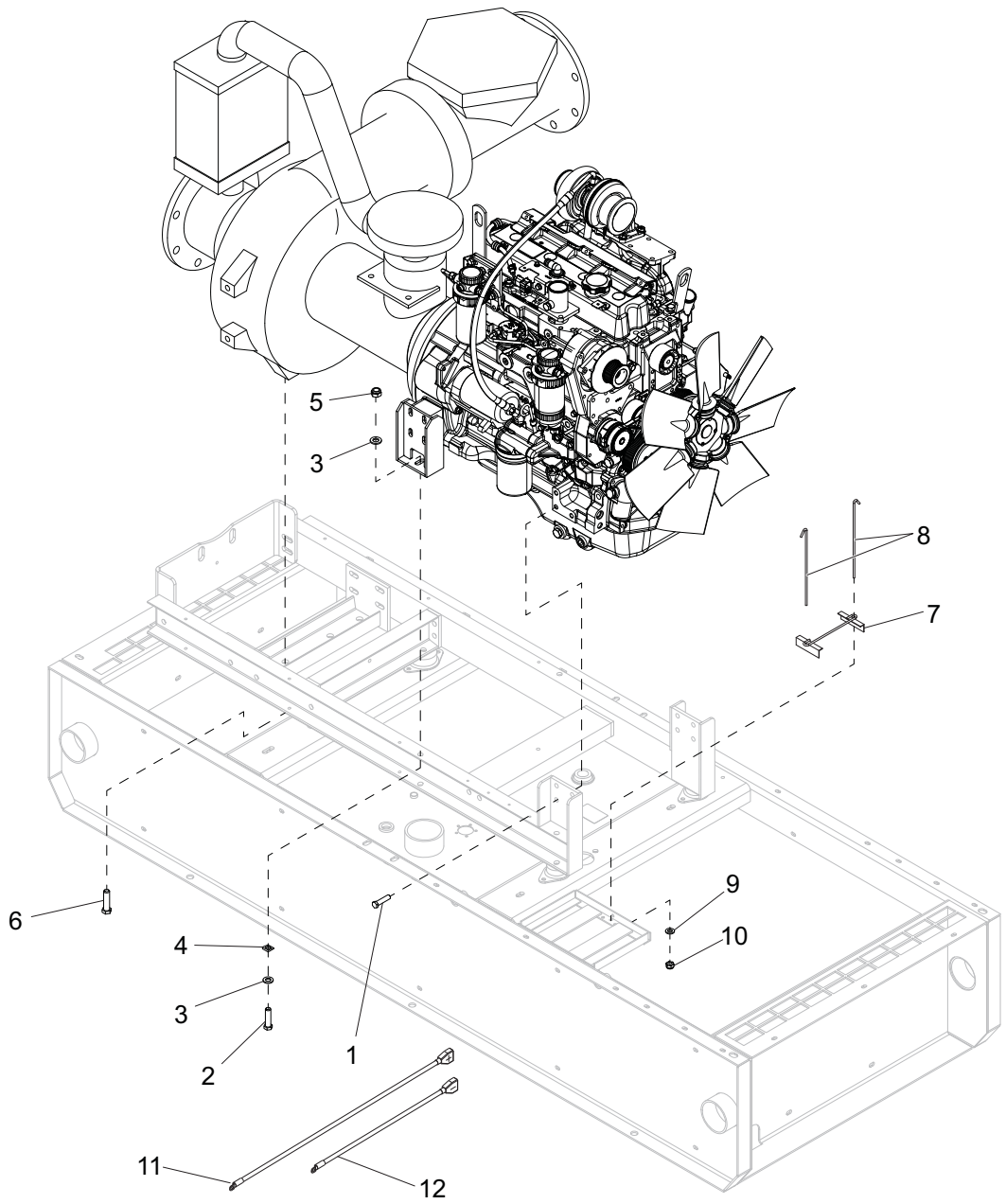
ITEM	PART NO.	QTY	DESCRIPTION	NOTES
1	18820	1	Clamp, V-band - 4.00/4.33 OD	
2	26230	1	Pipe, exhaust - turbo outlet	
3	18821	2	Clamp, muffler - 3.00	
4	26469	1	Pipe, exhaust, 3.00 - 90°	
5	26378	1	Muffler, 75-100	
6	21089	1	Cap, rain - 3.00	
7	18663	2	Clamp, hose - SAE 060 (3.31-4.25)	
8	30811	4 ft	Sleeve, high temp - 4.00 (black)	
9	61036	2	Screw, .375-16x1.25 std hex, SS	
10	60698	2	Washer, .375 flat .875/.040, SS	
11	26721B	1	Bracket, muffler support	
12	60206	2	Washer, .375 split lock	
13	60140	2	Nut, .375-16 hex, G5	
14	60353	2	Screw, .375-16x1.0 flg hex, G2	
15	60145	2	Nut, .375-16 sflg lock, G5	

# LIFT STRUCTURE ASSEMBLY



ITEM	PART NO.	QTY	DESCRIPTION	NOTES
1	49933B	1	Weldment, lift structure - top	
2	30850	1	Foam, lift structure - top	
3	26979ZY	1	Pin, striker - 3.25	
4	24196	1	Washer, striker pin - internal thread	
5	60276	1	Washer, .500 split lock	
6	24046	1	Nut, .438-14 - striker, G8	
7	49939B	1	Weldment, lift channel - left	
8	30816	1	Foam, lift channel - left	
9	60388	16	Screw, .500-13x1.50 std hex, G5	
10	60309	24	Washer, .500 flat 1.060/.090	
11	62221	17	Nut, .500-13 nylock, G5	
12	60331	1	Screw, .500-13x3.0 std hex, G2	
13	49931B	1	Weldment, lift channel - right	
14	30815	1	Foam, lift channel - right	
15	24296B	1	Weldment, fuel fill	
16	22286	1	Elbow, 45° 4.0 ID molded rubber	
17	19842	2	Clamp, hose - SAE 072 (4.06-5.00)	
18	61036	6	Screw, .375-16x1.25 std hex, SS	
19	60698	6	Washer, .375 flat .875/.040, SS	
20	60145	6	Nut, .375-16 sflg lock, G5	
21	23707	1	Cap, fuel fill - 3.50	
22	65631	1	Gauge, fuel - electric w/light	
23	28523B	1	Bracket, hood guide rht/front left/rear	

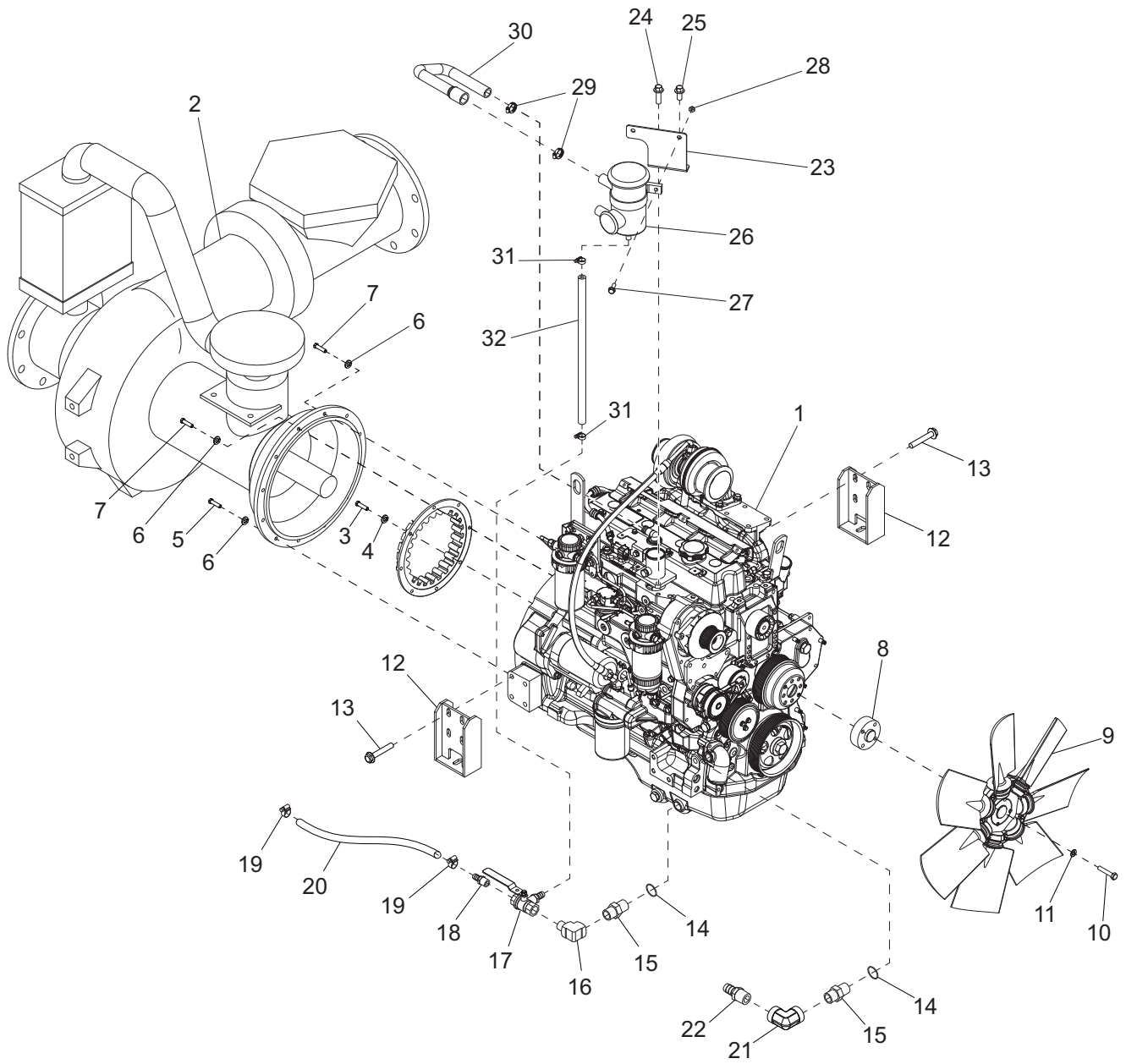
# ENGINE AND PUMP TO SKID





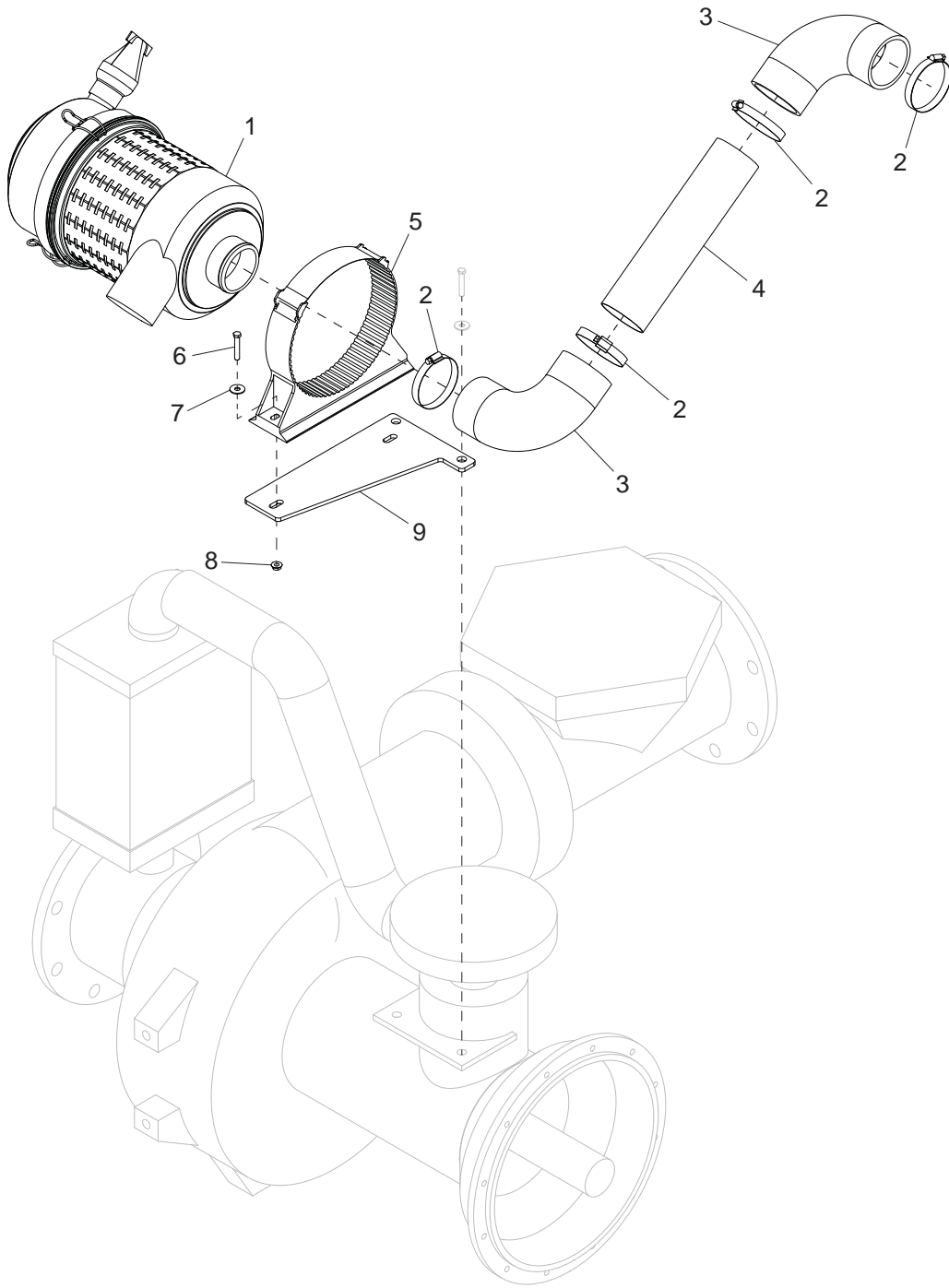
ITEM	PART NO.	QTY	DESCRIPTION	NOTES
1	60072	6	Screw, M12-1.75x25 sflg hex, G10.9	
2	60484	2	Screw, .500-13x2.0 std hex, G5	
3	60309	4	Washer, .500 flat 1.060/.090	
4	42811	2	Washer, .500 bevel steel	
5	62221	2	Nut, .500-13 nylock, G5	
6	63113	2	Screw, .625-11x1.0 std hex, G5	
7	14682	1	Bracket, battery hold-down	
8	14146	2	Bolt, J - .250-20 x 10.00	
9	60089	2	Nut, .250-20 wing, G5	
10	60090	2	Washer, .265 fndr 1.250/.060	
11	30701	1	Cable, battery - 30in 2/0 red w/boot	.500 lug
12	18694	1	Cable, battery - 16in 1/0 black .625	.625 lug

# ENGINE AND PUMP ASSEMBLY



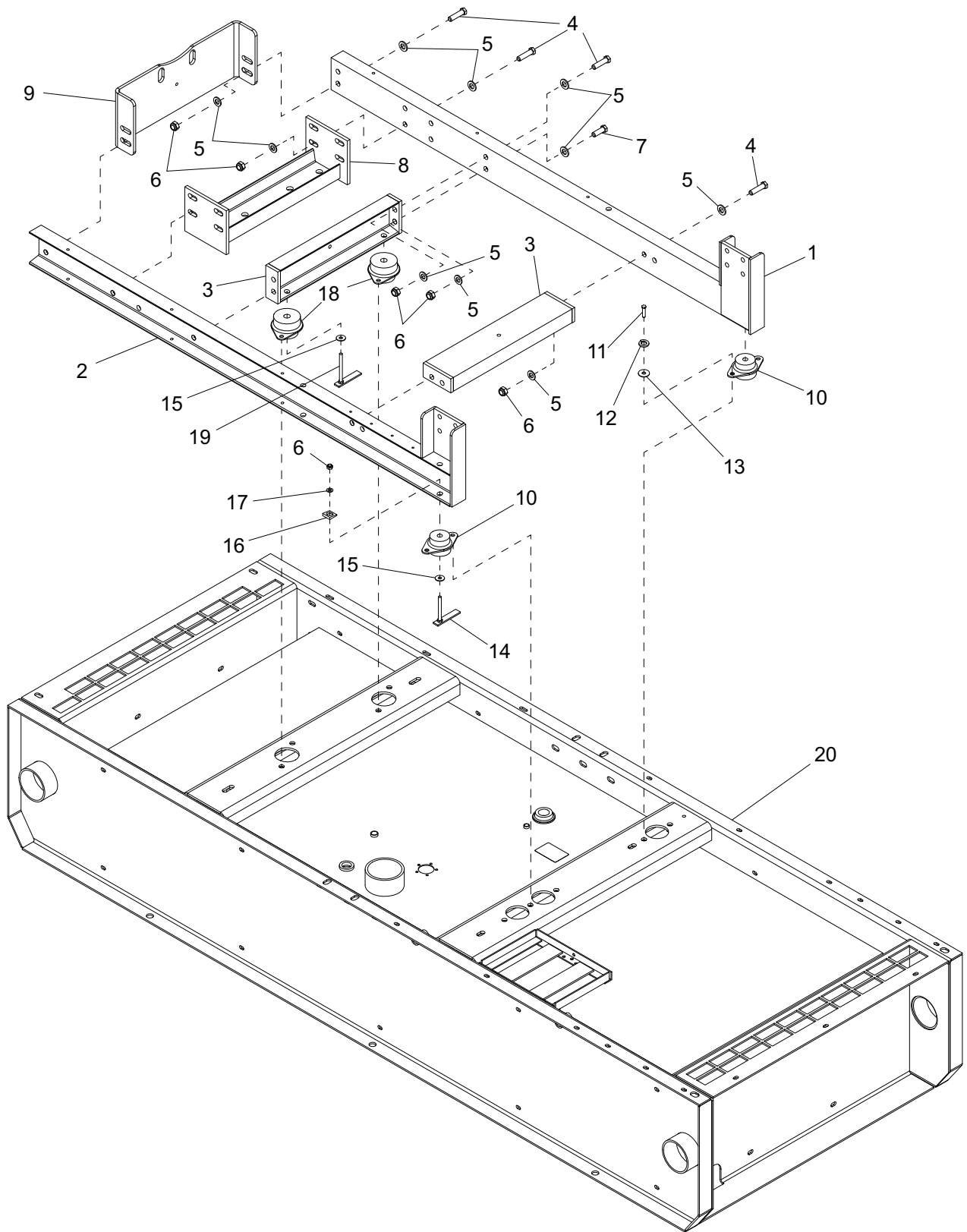
ITEM	PART NO.	QTY	DESCRIPTION	NOTES
1	49693	1	Engine, Deere 4045HF285	
2	49701	1	Pump, trash - 8.00 dry prime	
3	60205	8	Screw, .375-16x1.0 std hex, G5	
4	60206	8	Washer, .375 split lock	
5	60215	10	Screw, M10-1.50x35 std hex, G8.8	
6	60026	12	Washer, M10 split lock	
7	60177	2	Screw, M10-1.50x30 std hex, G10.9	
8	19818	1	Spacer, fan	
9	26494	1	Fan, engine - 23 in.	
10	60152	4	Screw, M10-1.50x60 std hex, G8.8	
11	60027	4	Washer, M10 flat	
12	30455B	2	Weldment, engine support	
13	60072	8	Screw, M12-1.75x25 sflg hex, G10.9	
14	19466	2	Seal, M18	
15	19257	2	Fitting, strt - .500MNPTxM18 O-ring seal	
16	60998	1	Fitting, 90° - .500MNPTx.500FNPT, brs	
17	61165	1	Valve, ball .500NPTx.50 barb	Pad-locking
18	60502	1	Fitting, strt-.500MNPTx.625 barb, brs	
19	60365	2	Clamp, hose - SAE 010 (.56-1.06)	
20	50201	1.42 ft	Hose, .625, 200 psi, class A	
21	22462	1	Fitting, 90° - .500FNPTx.500FNPT, brs	
22	60437	1	Fitting, strt - .500NPTx.750 barb	
23	26570B	1	Bracket, OCV system	
24	60072	1	Screw, M12-1.75x25 sflg hex, G10.9	
25	60018	1	Screw, M10-1.25x20 sflg hex, class 90	
26	24318	1	Kit, oil recirculation (Mann-Hummel 200)	
27	60009	2	Screw, M8-1.25x25 sflg hex, G8.8	
28	60020	2	Nut, M8-1.25 sflg lock, G8.8	
29	19338	2	Clamp, hose - SAE 016 (.68-1.50)	
30	24170	1	Hose, OCV vent	
31	19453	2	Clamp, hose - SAE 006 (.37-.87)	
32	50051	2.5 ft	Hose, fuel - .375 ID, 50 psi, SAE 30R7	

# AIR FILTER ASSEMBLY



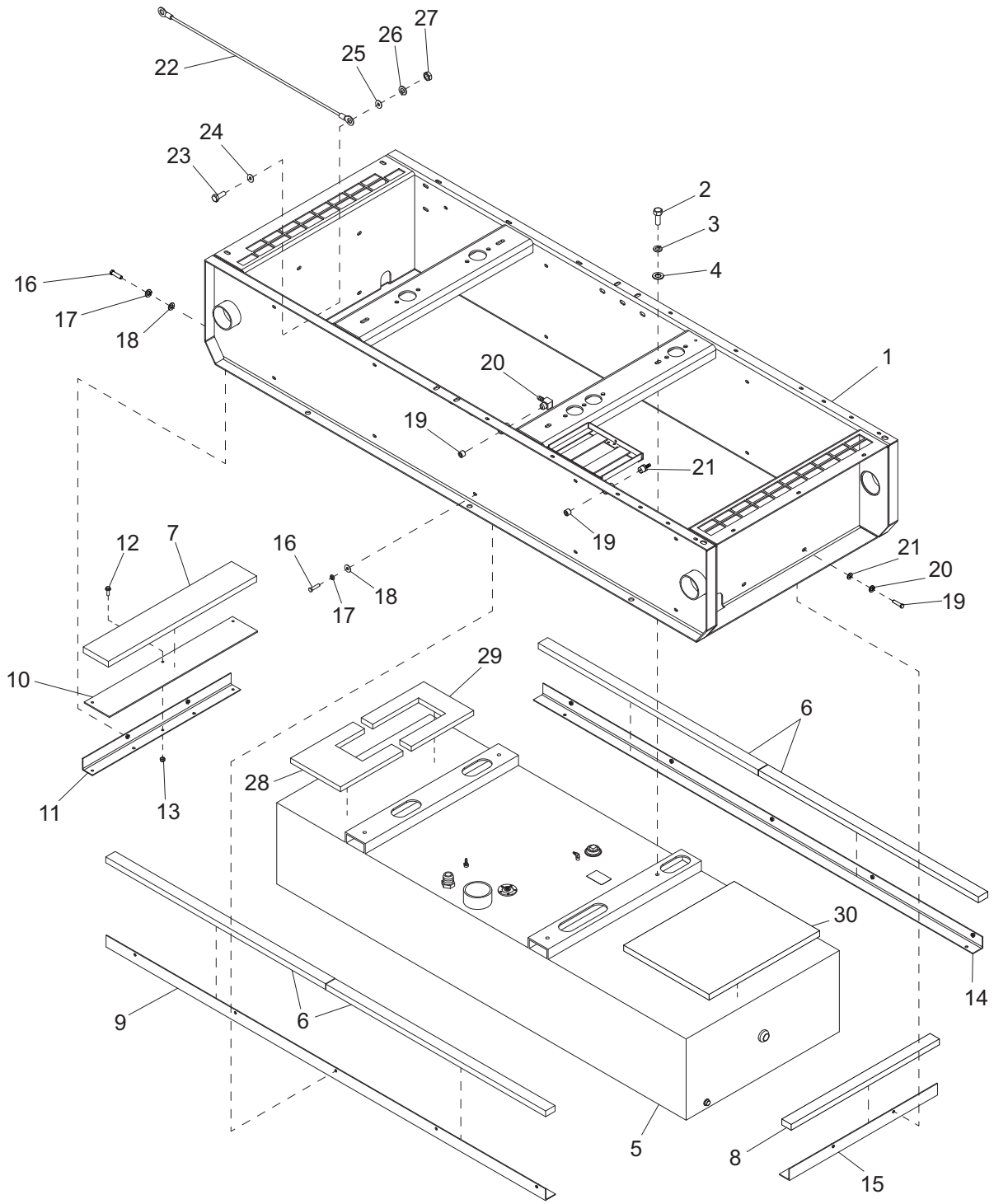
ITEM	PART NO.	QTY	DESCRIPTION	NOTES
1	26465	1	Filter, air	
2	18663	4	Clamp, hose - SAE 060 (3.31-4.25)	
3	28446	2	Elbow, 90°, 3.0 ID molded rubber	
4	49717B	1	Pipe, air inlet	
5	26466	1	Clamp, air filter	
6	60256	2	Screw, .312-18x1.50 std hex, G5	Full thread
7	60119	2	Washer, .312-18 flat .875/.070	
8	60095	2	Nut, .312-18 sflg	
9	30529B	1	Bracket, air filter	

# SUPPORT STRUCTURE TO SKID



ITEM	PART NO.	QTY	DESCRIPTION	NOTES
1	30422B	1	Weldment, engine mount - left	
2	30441B	1	Weldment, engine mount - right	
3	30450B	2	Weldment, pump support	
4	60484	16	Screw, .500-13x2.0 std hex, G5	
5	60309	36	Washer, .500 flat 1.060/.090	
6	62221	22	Nut, .500-13 nylock, G5	
7	60388	2	Screw, .500-13x1.50 std hex G5	
8	30406B	1	Weldment, pump support	
9	30457B	1	Bracket, pump support	
10	18083	2	Isolator, rubber 570/380 lbs	
11	60205	8	Screw, .375-16x1.0 std hex G5	
12	60206	8	Washer, .375 split lock	
13	60386	8	Washer, .375 flat .993/.064	
14	27034	2	Weldment, anti-turn bolt - .500x3.50	
15	18085	4	Washer, .510 snub 2.0/.130	
16	42811	4	Washer, .500 bevel steel	
17	60416	4	Washer, .500 Flat 1.375x.090	
18	18084	2	Isolator, rubber 840/560 lbs	
19	49778	2	Weldment, anti-turn bolt - .500x4.00	
20	<a href="#">Page 48</a>	1	Assembly, skid	

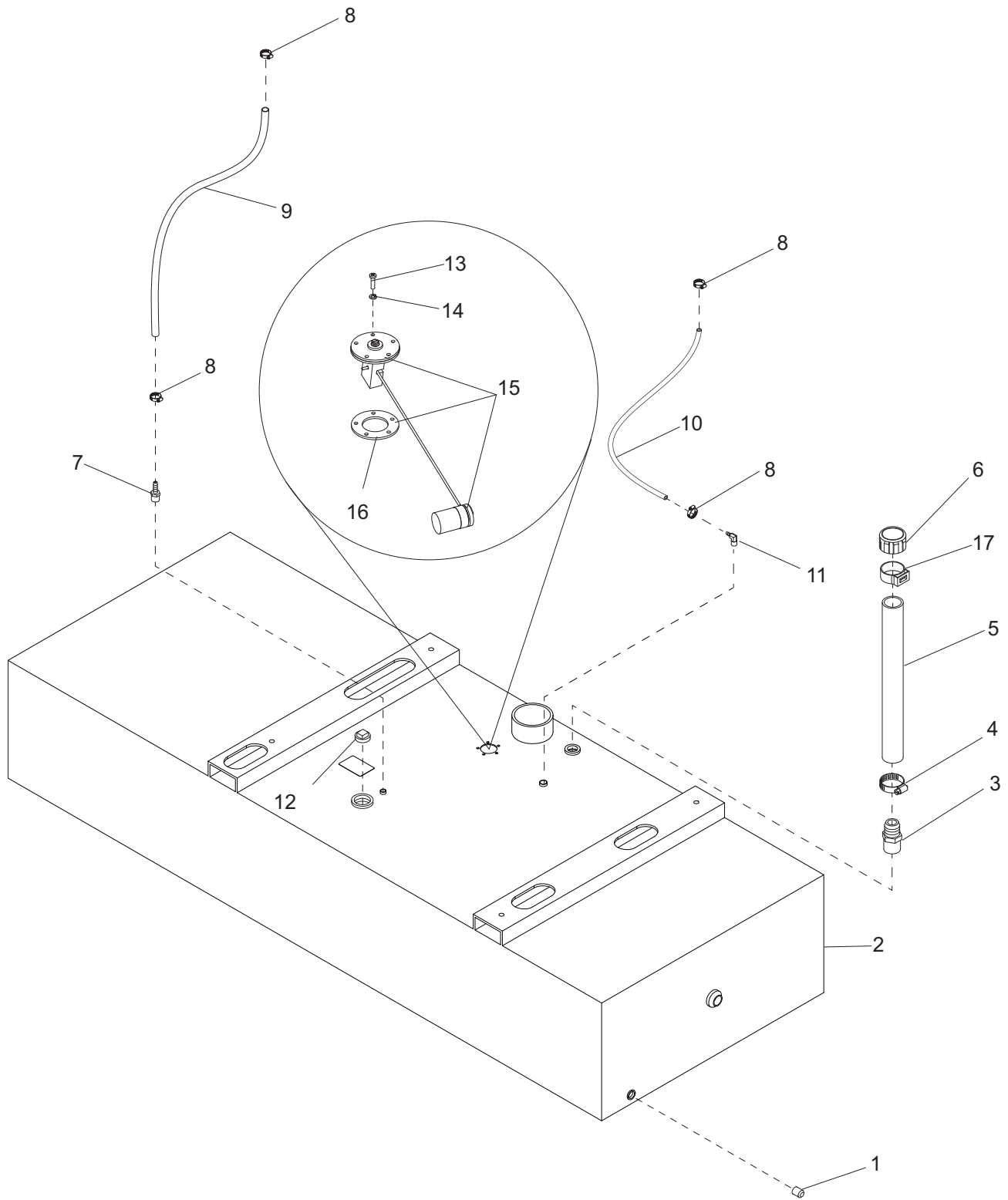
# SKID ASSEMBLY





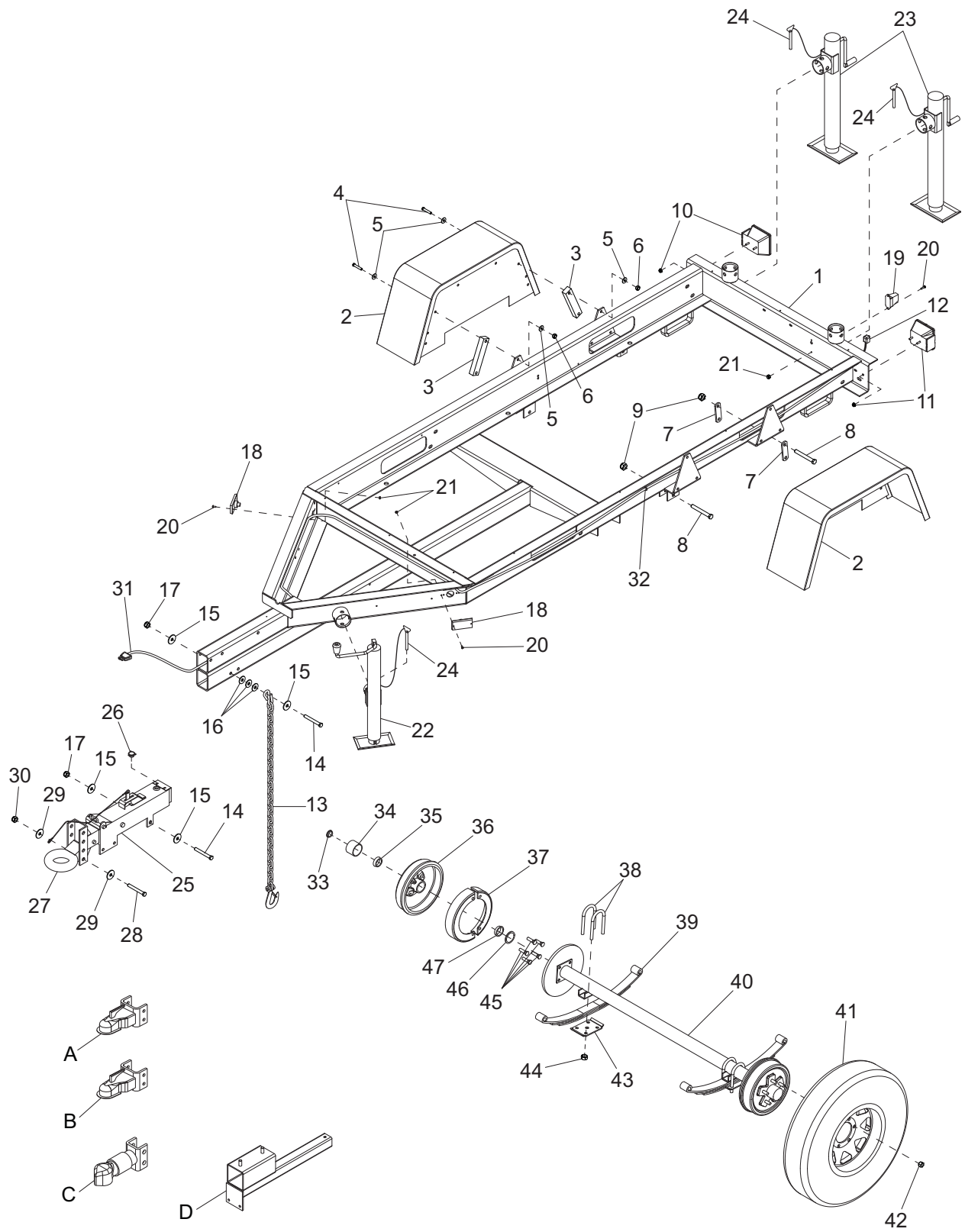
ITEM	PART NO.	QTY	DESCRIPTION	NOTES
1	49744B	1	Weldment, skid	
2	61101	4	Screw, .500-13x1.50 std hex, G8	
3	60276	4	Washer, .500 split lock	
4	60309	4	Washer, .500 flat 1.060/.090	
5	<a href="#">Page 50</a>	1	Assembly, fuel tank	
6	30844	4	Foam, fuel tank - bottom, sides	
7	30846	1	Foam, fuel tank - bottom, rear	
8	30845	1	Foam, fuel tank - bottom, front	
9	30852B	1	Weldment, foam angle - right	
10	30843B	1	Plate, foam	
11	30854B	1	Weldment, foam angle - rear	
12	60616	3	Screw, .312-18x.750 sflg hex, G5	
13	60303	3	Nut, .312-18 nylock, G2	
14	30851B	1	Weldment, foam angle - left	
15	30853B	1	Weldment, foam angle - front	
16	60393	14	Screw, .250-20x1.0 std hex, G5	
17	60286	14	Washer, .250 split lock	
18	60243	14	Washer, .250 flat .735/.060	
19	18394	2	Fitting, plug - .500NPT x internal hex	
20	61014	1	Fitting, 90° - .500MNPTx.625 barb, brs	
21	60502	1	Fitting, strt - .500MNPTx.625 barb, brs	
22	49898	1	Tether, cable steel - .188 dia. x 30.0	W/eyelets
23	60507	7	Screw, .312-18x1.00 std hex, SS	
24	60452	1	Washer, .313 flat 1.125/1.0, SS	Bonded rubber
25	60340	7	Washer .312 flat .875/.040, SS	
26	60271	7	Washer, .312 split lock	
27	60285	1	Nut, .312-18 hex, G2	
28	30812	1	Foam, fuel tank - top, rear left	
29	30813	1	Foam, fuel tank - top, rear right	
30	30814	1	Foam, fuel tank - top, front	

# FUEL TANK ASSEMBLY



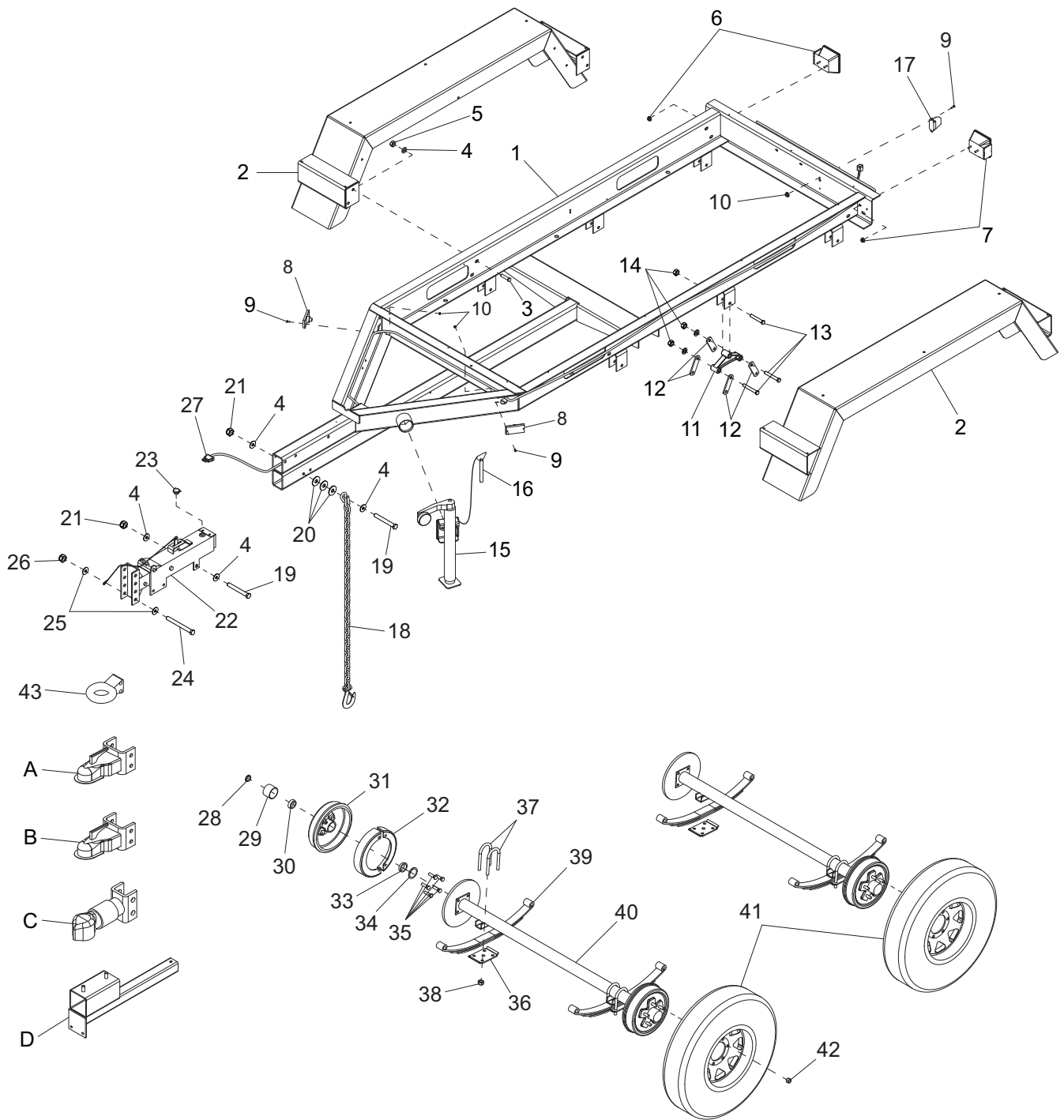
ITEM	PART NO.	QTY	DESCRIPTION	NOTES
1	18394	1	Fitting, plug - .500NPT x internal hex	
2	49991B	1	Tank, fuel - 150 gal.	
3	25496	1	Fitting, strt - .750MNPTx1.0 barb, brs	
4	19338	1	Clamp, hose - SAE 016 (.68-1.50)	
5	50019	4.00 ft	Hose, fuel - 1 in., SAE 20R3	
6	26379	1	Vent, plastic fuel - 1.00 ID	
7	19180	1	Fitting, strt - .375MNPTx.312 barb	
8	14216	4	Clamp, hose - SAE 004 (.21-.62) mini	
9	50018	3.41 ft	Hose, fuel - .312 ID, 50 psi, SAE 30R7	
10	50018	3.00 ft	Hose, fuel - .312 ID, 50 psi, SAE 30R7	
11	15693	1	Fitting, 90° - .250NPTx.312 barb, brs	
12	60861	1	Plug, hole - .875 dia. black	
13	60062	5	Screw, 10-32x.750 pan phil, G2	
14	60252	5	Washer, #10 split lock	
15	20571	1	Sender, fuel - 10-15 in. tank	
16	22323	1	Gasket, fuel sending unit	
17	62040	1	Clamp, hose - 1.50	Crimp style

# TRAILER ASSEMBLY - SINGLE AXLE



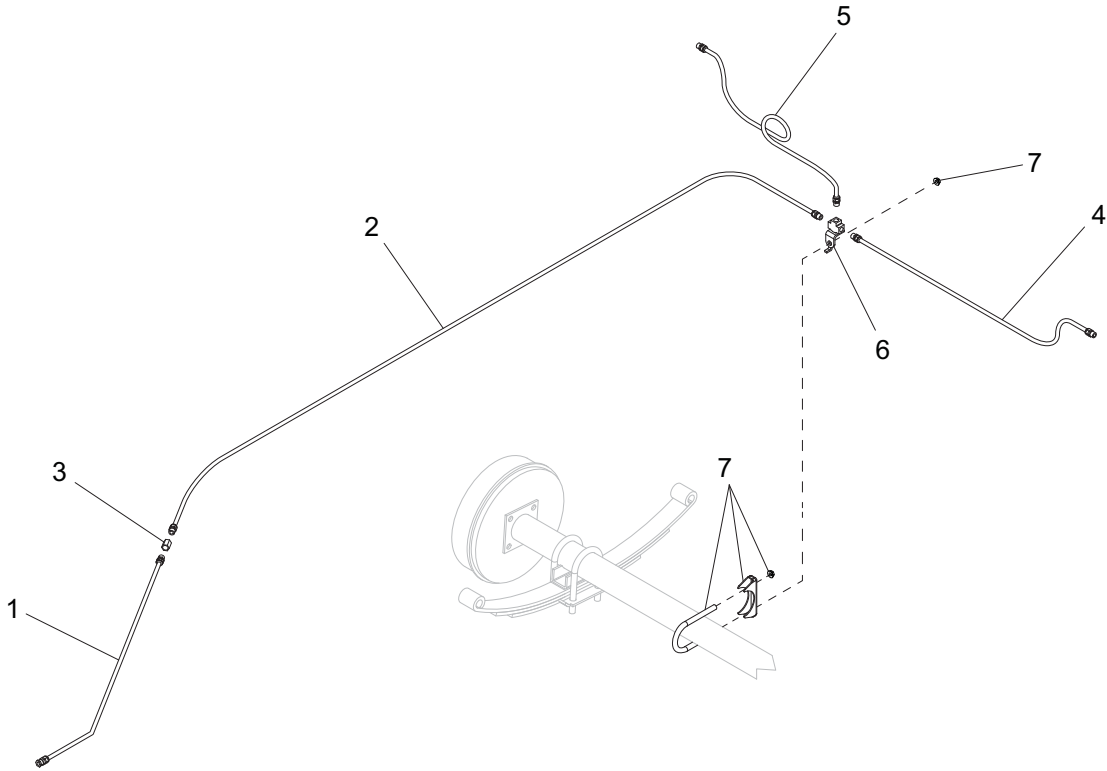
ITEM	PART NO.	QTY	DESCRIPTION	NOTES
1	30118B	1	Weldment, trailer chassis	
2	22743B	2	Fender, single wheel	
3	23500B	3	Bracket, fender extension	
4	60179	8	Screw .375-16x.750 std hex, G8	
5	60386	16	Washer, .375 flat .993/.064	
6	60140	8	Nut, .375-16 hex, G5	
7	19637	4	Plate, shackle bracket - 3.125 in.	
8	60503	6	Screw, shackle .562-18 std hex, G5	
9	60504	6	Nut, .562-18 lock hex, G5	
10	65448	1	Light, stop/turn/tail - waterproof, right	
11	65449	1	Light, stop/turn/tail - waterproof, left	
12	10226	1	Plug, 2 wire, license light w/ 6" leads	
13	23367	2	Chain, safety - 7800 lbs	
14	60376	5	Screw, .500-13x4.500 std hex	
15	60309	12	Washer, .500 flat 1.060/.090	
16	60416	4	Washer, .500 flat 1.375/.090, G5	
17	62221	5	Nut, .500-13 nylock, G5	
18	66373	2	Lens, light - clearance marker, amber	
--	65661	2	Bulb, light - clearance marker	Not shown
19	65605	1	Light, license plate - 12V	
20	60277	6	Screw, 10-32x.500 pan phil G2	
21	60061	6	Nut, 10-32 nylock	
22	23254	1	Jack, top wind - 2000 lb.	Tube mounted
23	11978	2	Jack, side wind - 2000 lb.	Tube mounted
24	23256	1	Pin, jack - tube mounted	
25	40529	1	Actuator, hydraulic surge brake - adj	
26	19335B	1	Coupler, lunette ring - 3 adj	
27	30248	1	Cap, actuator - sealed	
28	60239	2	Screw, .625-11x5.0 std hex, G5	
29	60521	4	Washer, .625 flat 1.743/.108	
30	60240	2	Nut, .625-11 nylock, G5	
31	23172	1	Harness, trailer	
32	19400	5	Cable tie, 8.00x.185	
33	11254	2	Plug, grease cap - for zerk	
34	23170	2	Cap, grease - w/rubber plug	
35	26585	2	Roller bearing - outer	
36	40958	2	Hub/brake drum - 3500 lb.	
37	26572	2	Surge brake assembly, right	
--	26571	2	Surge brake assembly, left	
--	26574	2	Electric brake assembly, right	Option: electric brake
--	26573	2	Electric brake assembly, left	Option: electric brake
38	40875	4	U-bolt, axle	
39	27137	2	Spring, 6000 lb. axle	
40	27135	1	Axle, 6000lb, hydraulic surge	
--	27136	1	Axle, 6000lb, electric	Option: electric brake
41	18377	2	Wheel, ST225/75R15	
42	60096	12	Nut, .500-20 wheel lug	
43	40874	2	Tie plate	
44	11203	8	Nut, axle - U-bolt, 2200 lb.	
45	60963	12	Stud, wheel - axle	
46	26575	2	Roller bearing - inner	
47	26576	2	Bearing seal axle	
A	19518	1	Coupler, 2 in. ball	Option: adjustable hitch
B	19519	1	Coupler, 2.31 in. ball	Option: adjustable hitch
C	41795	1	Coupler, 2.31 in. ball - 12500 lb. Bulldog	Option: Bulldog hitch
D	24534B	1	Weldment, spare tire carrier	Option: spare tire

# TRAILER ASSEMBLY - TANDEM AXLE



ITEM	PART NO.	QTY	DESCRIPTION	NOTES
1	30122B	1	Weldment, tandem w/equalizer	
2	23141B	2	Weldment, fender	
3	61103	8	Screw, .500-13x1.75 sflg	
4	60416	26	Washer, .500 flat 1.375/.090	
5	23172	1	Harness, wiring	
6	65448	1	Light, stop/turn/tail - right	
7	65449	1	Light, stop/turn/tail - left	
8	66373	2	Lens, amber - light, clearance marker	
--	65661	2	Bulb, light - clearance marker	Not shown
9	60277	4	Screw, 10-32x.500 pan phil, G2	
10	60061	6	Nut, 10-32 nylock	
11	40545	2	Equalizer, tandem axle	
12	19637	8	Plate, shackle bracket	
13	60503	6	Screw, shackle, .562-18x3.0 std hex, G5	
14	60504	6	Nut, shackle, .562-18 lock hex, G5	
15	23254	1	Jack, top wind - 2000 lb	Tube mounted
16	23256	1	Pin, jack - 2000 lb	Tube mounted
17	65605	1	Light, license plate - 12V	
18	23367	2	Chain, safety - 7800 lb	
19	60376	5	Screw, .500-13x4.50 std hex, G5	
20	60309	12	Washer, .500 flat 1.060/.090	
21	62221	5	Nut, .500-13 nylock, G8.8	
22	40529	1	Actuator, hydraulic surge brake - 7500 lb	Adjustable
23	30248	1	Cap, actuator - sealed	
24	60239	2	Screw, .625-11x5.0 std hex, G5	
25	60193	4	Washer, M16 flat	
26	60240	2	Nut, .625-11 nylock, G5	
27	65480	1	Harness, trailer wiring - w/plug 30 ft	
28	11254	4	Plug, grease cap - for zerk	
29	11253	4	Cap, grease w/rubber plug - 3500 lb	
30	40956	4	Outer bearing	
31	12311	4	Brake drum - 10" 5 on 4.5"	
32	40764	2	10" Surge brake assembly, left	
--	40765	2	10" Surge brake assembly, right	
--	26442	2	10" Electric brake assembly, left	Option: electric brake
--	26443	2	10" Electric brake assembly, right	Option: electric brake
33	40954	4	Inner bearing	
34	12307	4	Bearing seal DL350	
35	60674	20	Stud, wheel -.500-20, G8	
36	11278	4	Tie plate, axle - 3500 lb	
37	11277	8	U-bolt, axle - 3500 lb	
38	11203	16	Nut, (U-bolt)	
39	26665	4	Spring - 27" 3500 lbs	
40	23100	2	Axle, 3500 lb surge - 80 tandem	
--	23101	2	Axle, 3500 lb electric - 80 tandem	Option: electric brake
41	15540	4	Wheel, ST205X75R15	
42	60096	20	Nut, .500-20 lug	Included w/axle
43	19335B	1	Coupler, lunette ring - 3 in. ID	Adjustable
A	19518	1	Coupler, 2.00 in. ball	Option: adjustable hitch
B	19519	1	Coupler, 2.31 in. ball	Option: adjustable hitch
C	41795	1	Coupler, 2.31 in. ball - 12500 lb Bulldog	Option: Bulldog hitch
D	24711B	1	Weldment, spare tire carrier	Option: spare tire

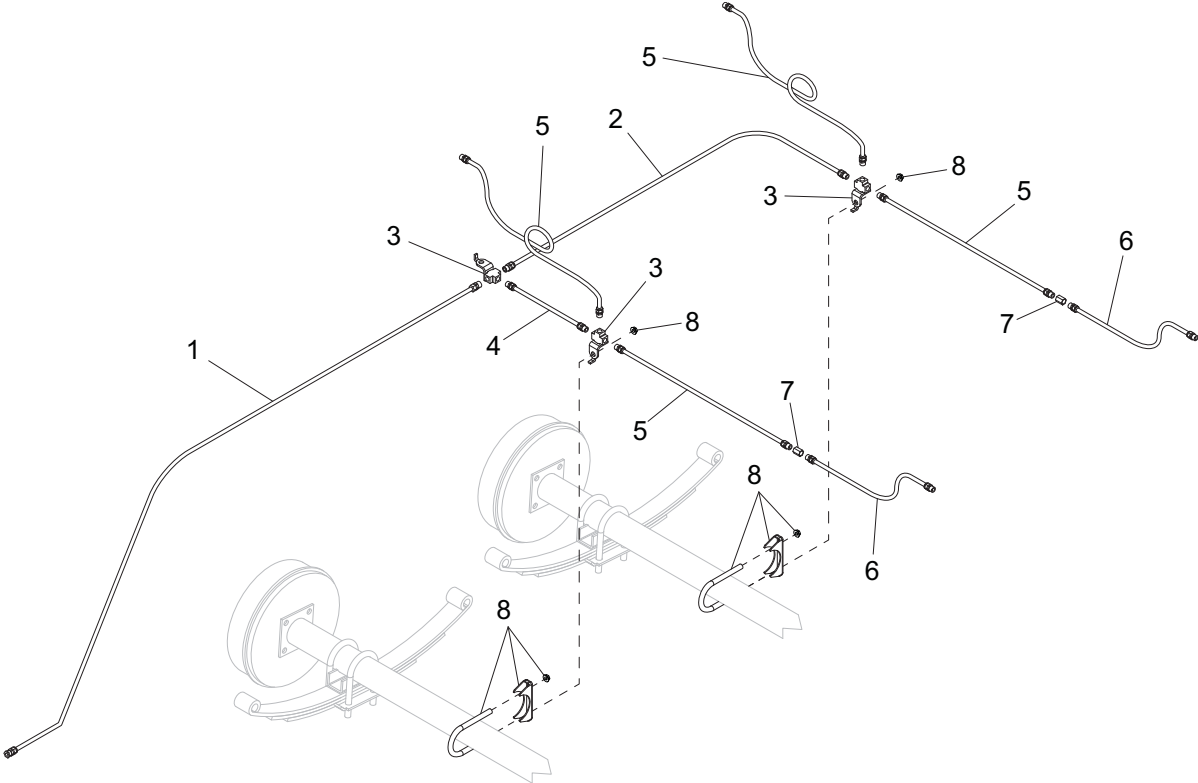
**BRAKE LINES - SINGLE AXLE**





<b>ITEM</b>	<b>PART NO.</b>	<b>QTY</b>	<b>DESCRIPTION</b>	<b>NOTES</b>
1	40817	1	Hose, brake - .188x33.00	Male/male
2	23250	1	Hose, brake - .188x94.00	Male/male
3	22339	1	Fitting, strt .188 brake line coupler	
4	40493	1	Line, brake - .188x40.00	
5	40495	1	Line, brake - .188x20.00	
6	19252	1	Fitting, strt .188 - brake line T w/bracket	All female
7	18821	1	Clamp, muffler - 3.00	U-bolt, saddle & nuts

**BRAKE LINES - TANDEM AXLE**



<b>ITEM</b>	<b>PART NO.</b>	<b>QTY</b>	<b>DESCRIPTION</b>	<b>NOTES</b>
1	23250	1	Hose, brake - .188x94.00	Male/male
2	40817	1	Hose, brake - .188x33.00	Male/male
3	19252	2	Fitting, strt - .188 brake line T w/bracket	All female
4	23572	1	Hose, brake - .188x15.00	Male/male
5	40493	4	Line, brake - .188x40.00	
6	40495	2	Line, brake - .188x20.00	
7	22339	2	Fitting, strt - .188 brake line coupler	
8	15550	2	Clamp, muffler - 2.50 heavy duty	

## RECOMMENDED SPARE PARTS

### ELECTRICAL

Controller, Lofa 750 .....	30695
Relay, 12V/70A .....	66455
Sensor, low coolant .....	30942
Shutdown, emergency .....	22550

### ENGINE

Alternator, engine .....	23346
Element, air filter .....	26722
Filter, fuel - final .....	26236
Filter, fuel - primary .....	26597
Filter, oil .....	22378
Filter, oil recirculation .....	24552
Gauge, fuel .....	65631
Sender, fuel (std tank) .....	20571
Starter, engine John Deere .....	23346

### MAINTENANCE KITS

500 hr Filter Kit .....	SK073
2000 hr Service Kit .....	SK074

### RADIATOR

Cap, radiator .....	31146
Cap, over flow jug .....	19714
Hose, radiator - upper .....	26468
Hose, radiator - lower .....	26295
Jug, overflow 2.5 qt .....	24952

### TRAILER

Jack, top wind - 3000 lb, tube mounted .....	23254
Light, stop/turn/tail - right .....	65448
Light, stop/turn/tail - left .....	65449



REV: ORG  
PART NO: 49980  
07.10.13